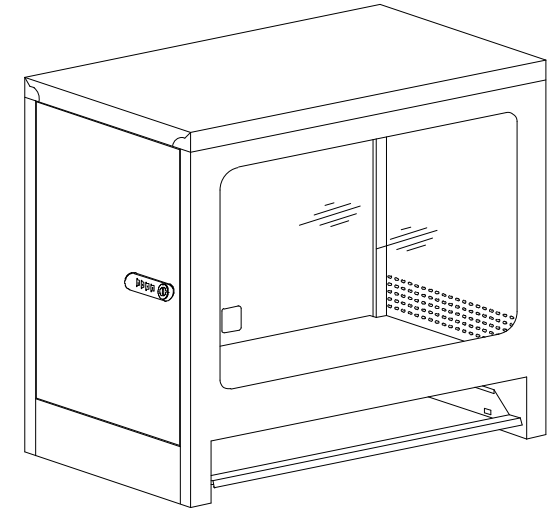
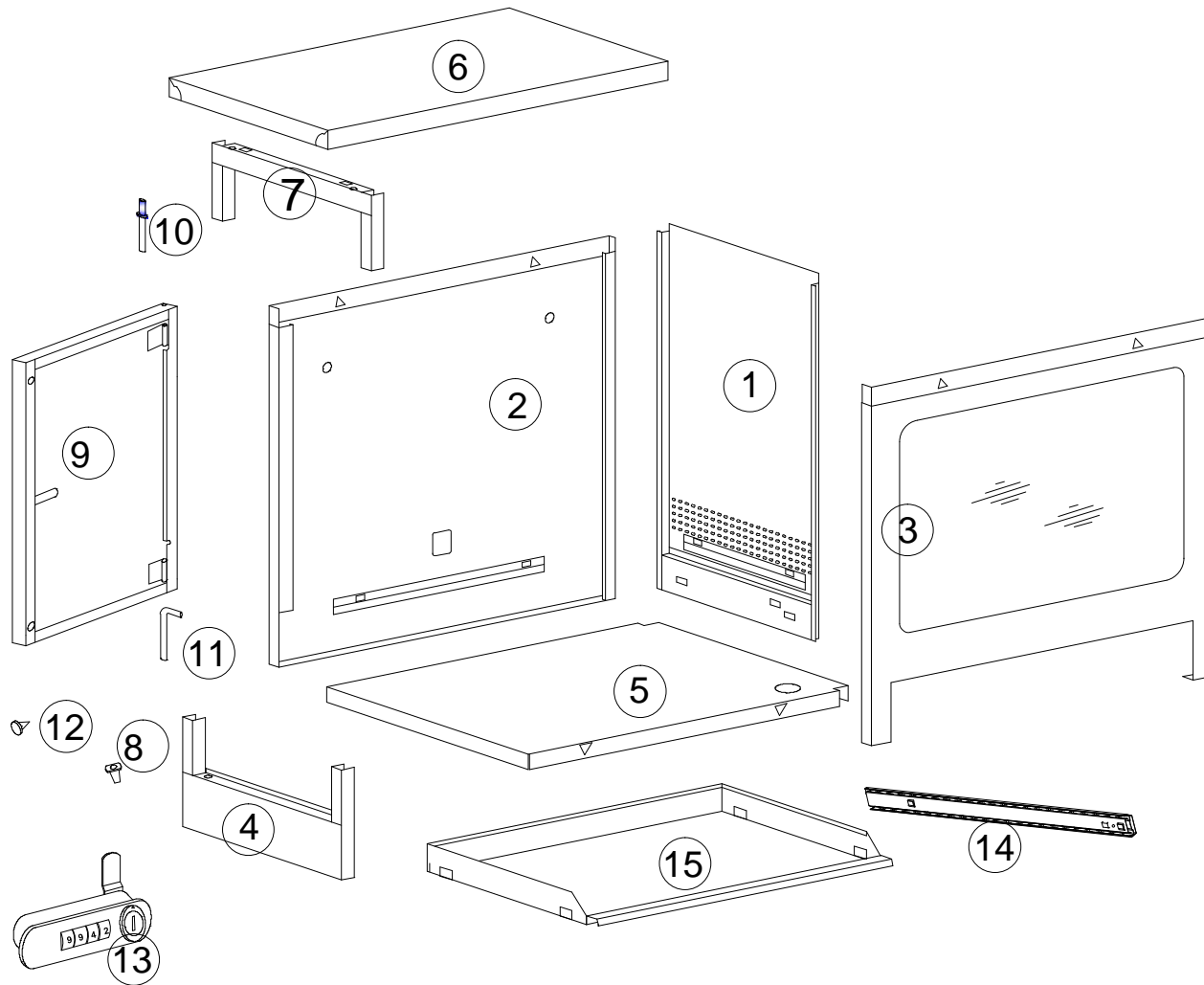
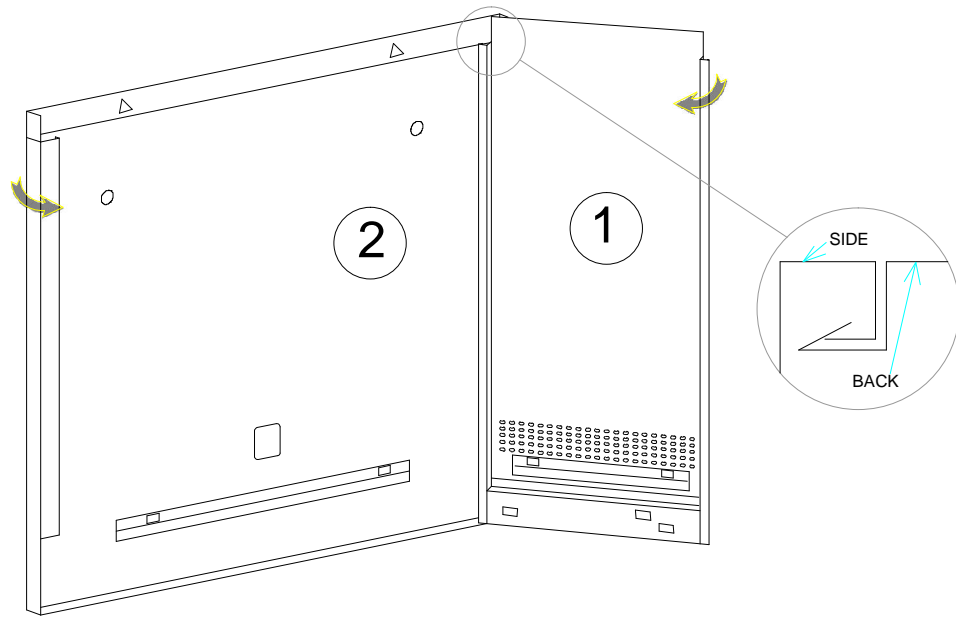


# COMPUTER CABINET SMALL - INTRA Parts list & Assembly instruction

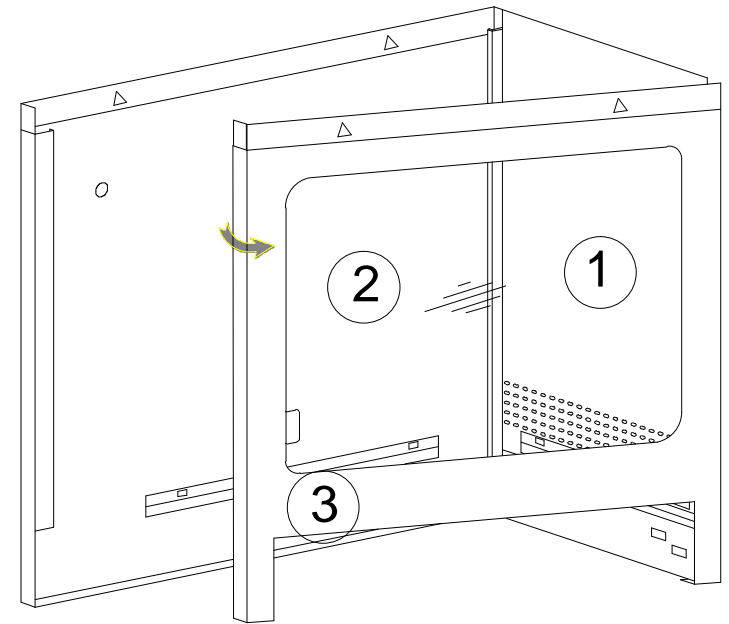


## PART LIST

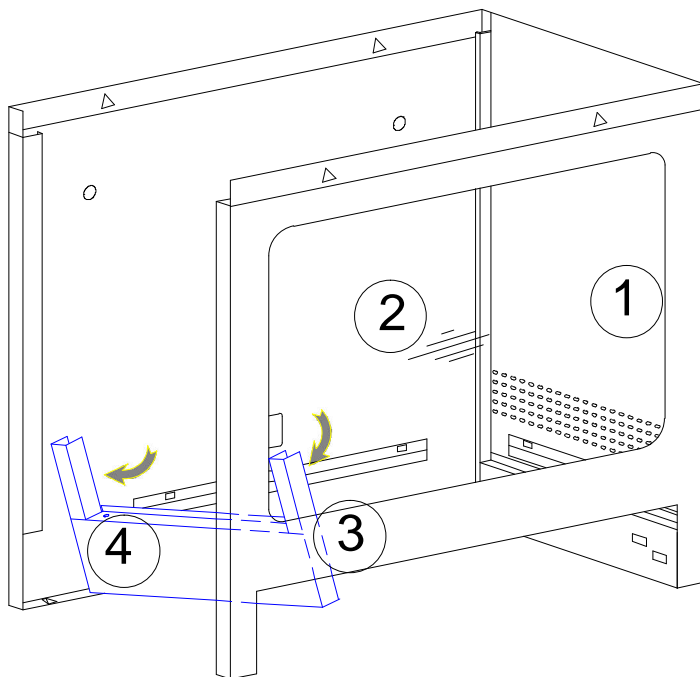
<u>PART No.</u>	<u>COMPONENT</u>	<u>QUANTITY</u>
01	BACK	01
02	LH SIDE	01
03	RH SIDE	01
04	KICKPLATE	01
05	BOTTOM	01
06	TOP	01
07	TOP 'U' FRAME	01
08	PLASTIC HINGE BUSH	01
09	DOOR	01
10	TOP HINGE PINS	01
11	BOTTOM HINGE PINS	01
12	DOOR BANGER	01
13	NUMBER LOCK	01
14	BALL SLIDE	02
15	DRAWER	01



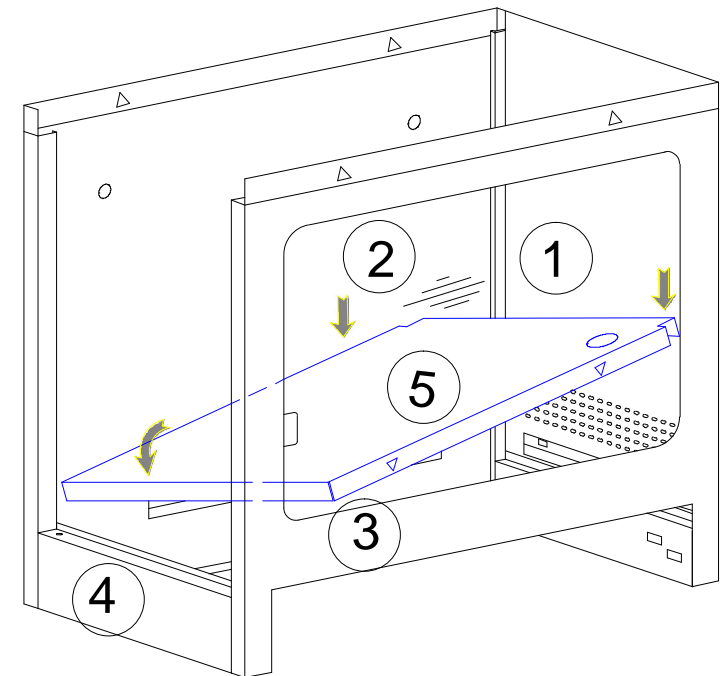
**STEP - 1**



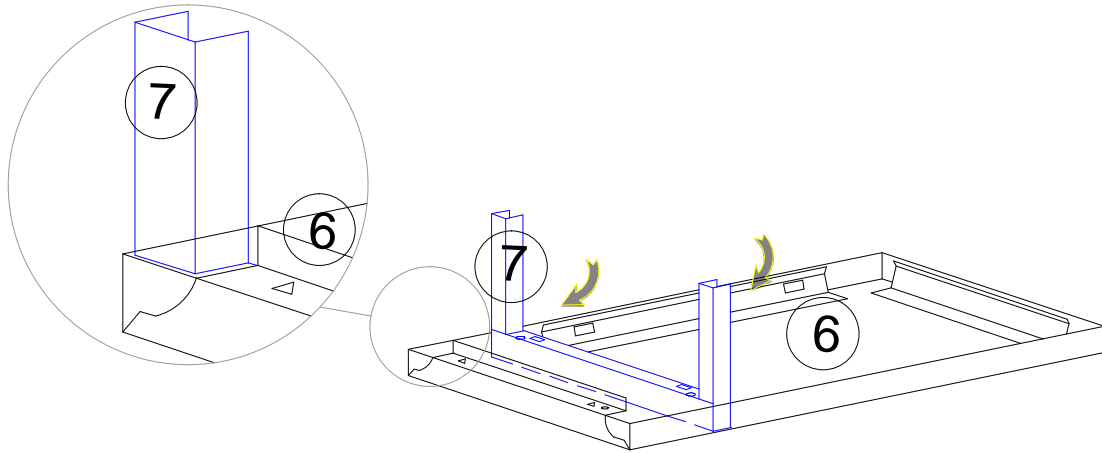
**STEP - 2**



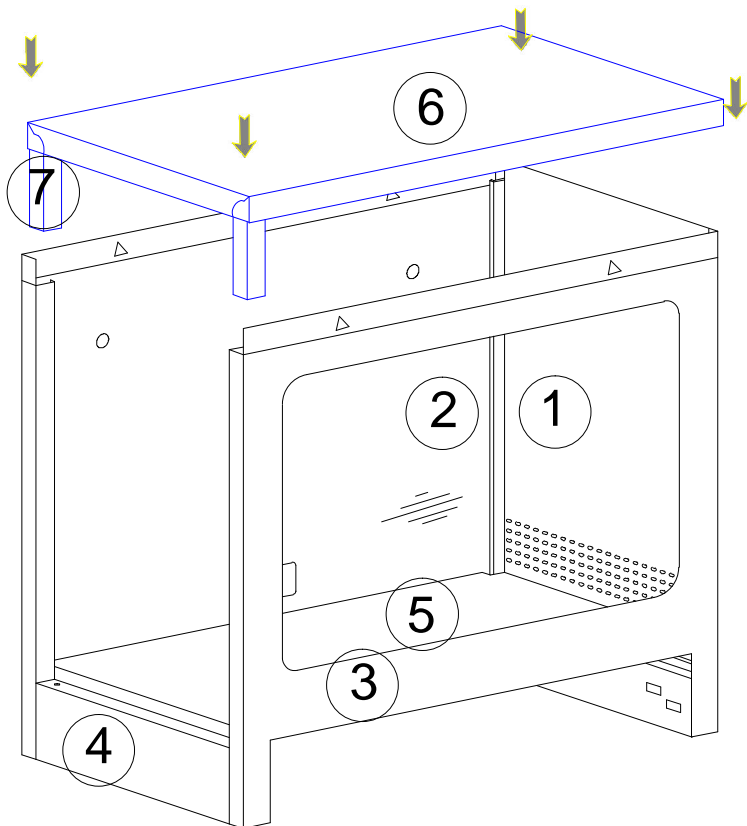
**STEP - 3**



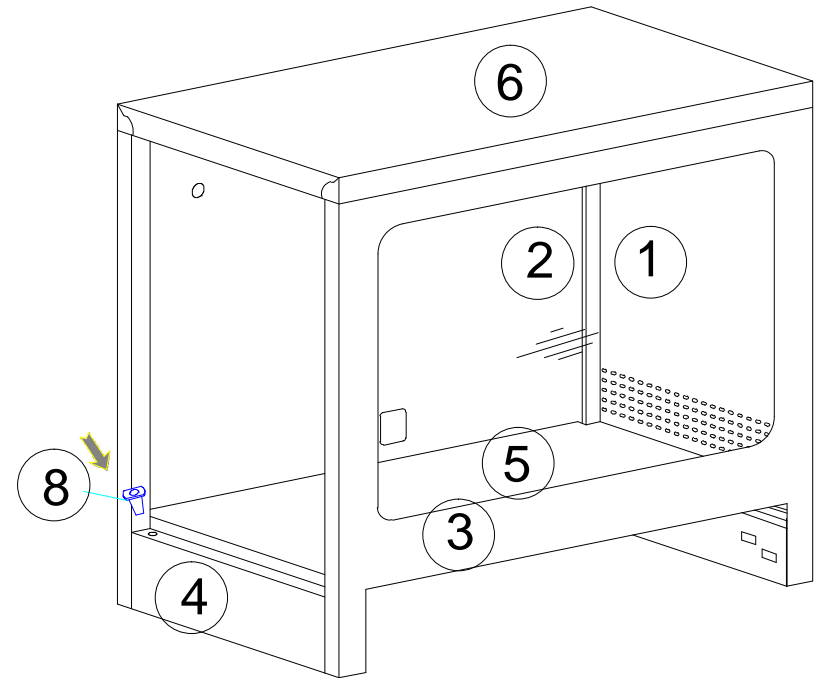
**STEP - 4**



**STEP - 5**

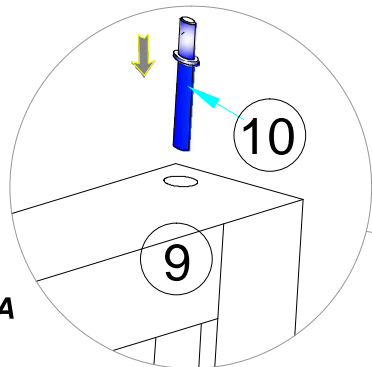


**STEP - 6**

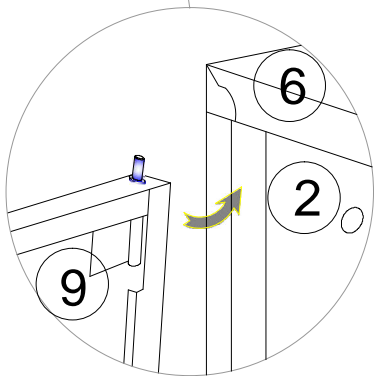


**STEP - 7**

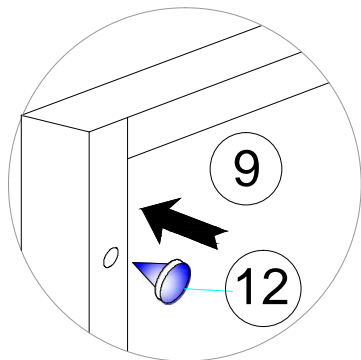
STEP - A



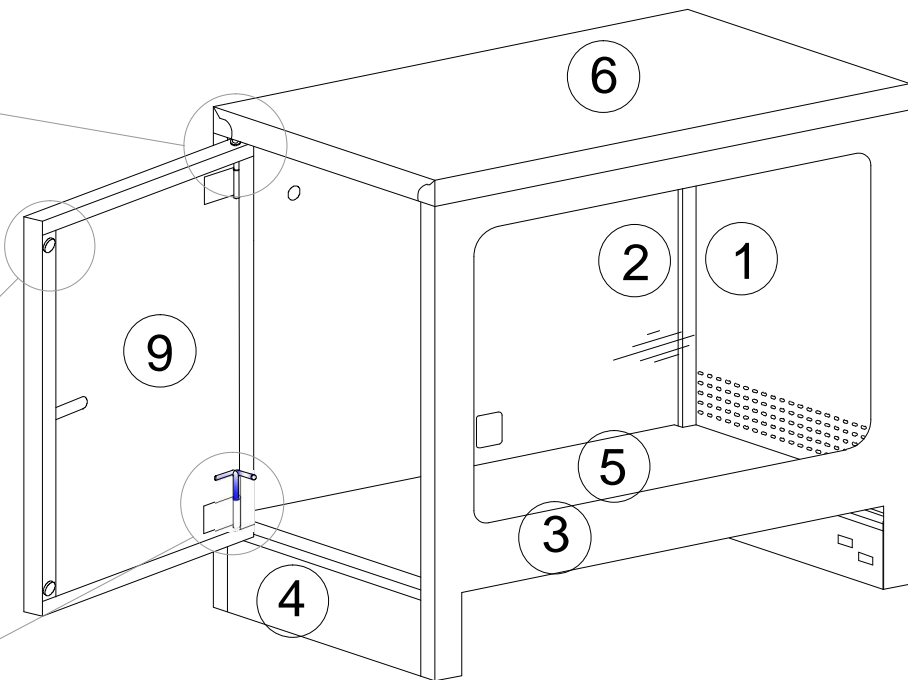
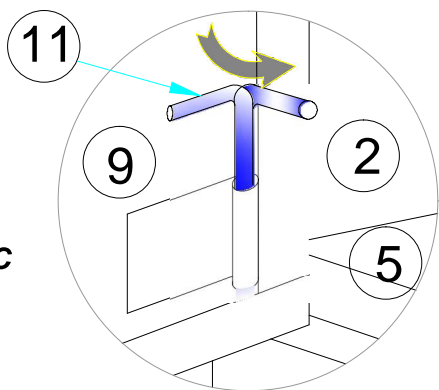
STEP - B



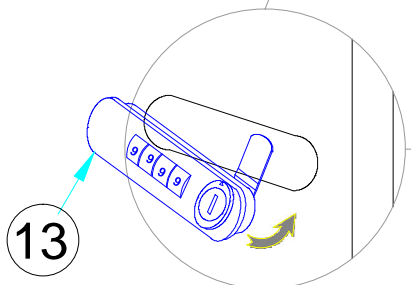
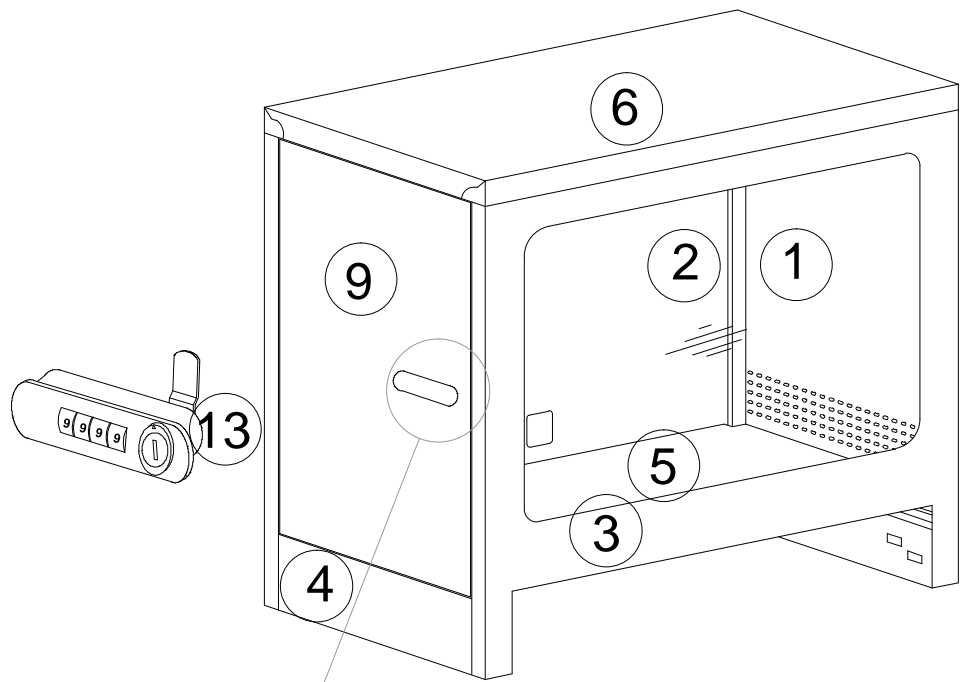
STEP - D



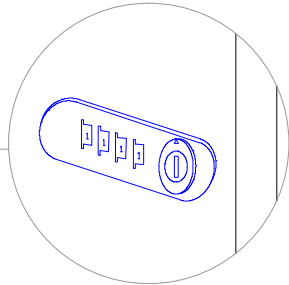
STEP - C



**STEP - 8**

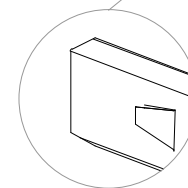
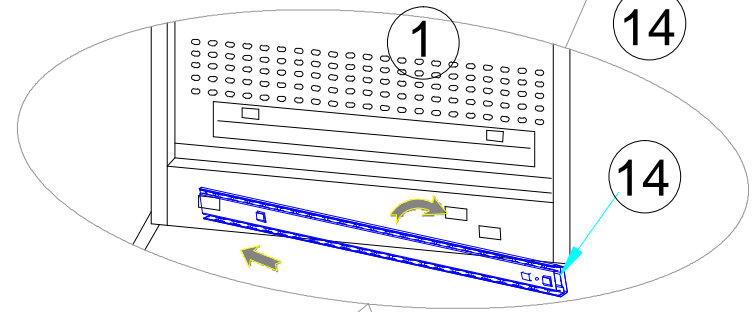
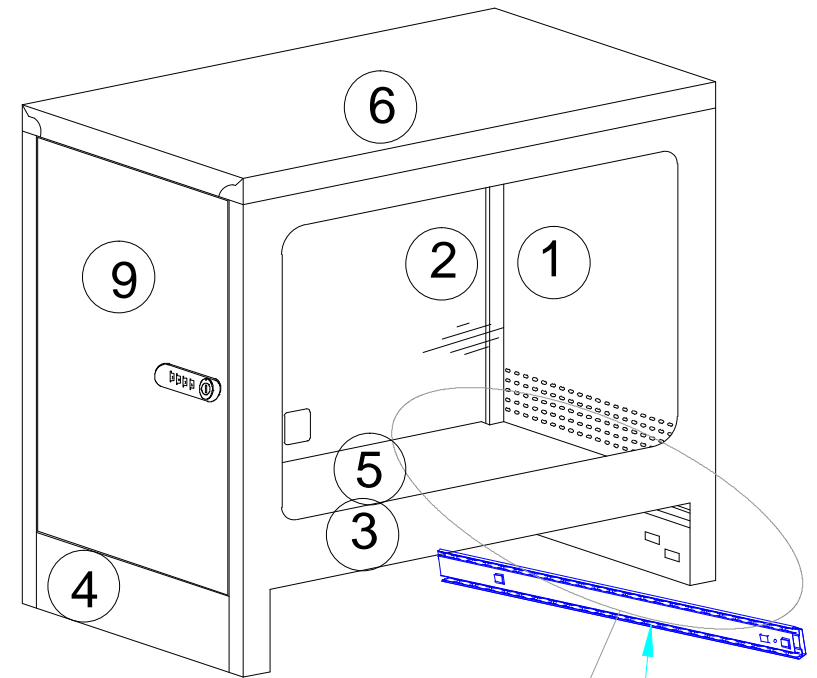


**STEP - A**

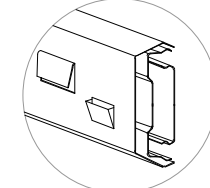


**STEP - B**

**STEP - 9**

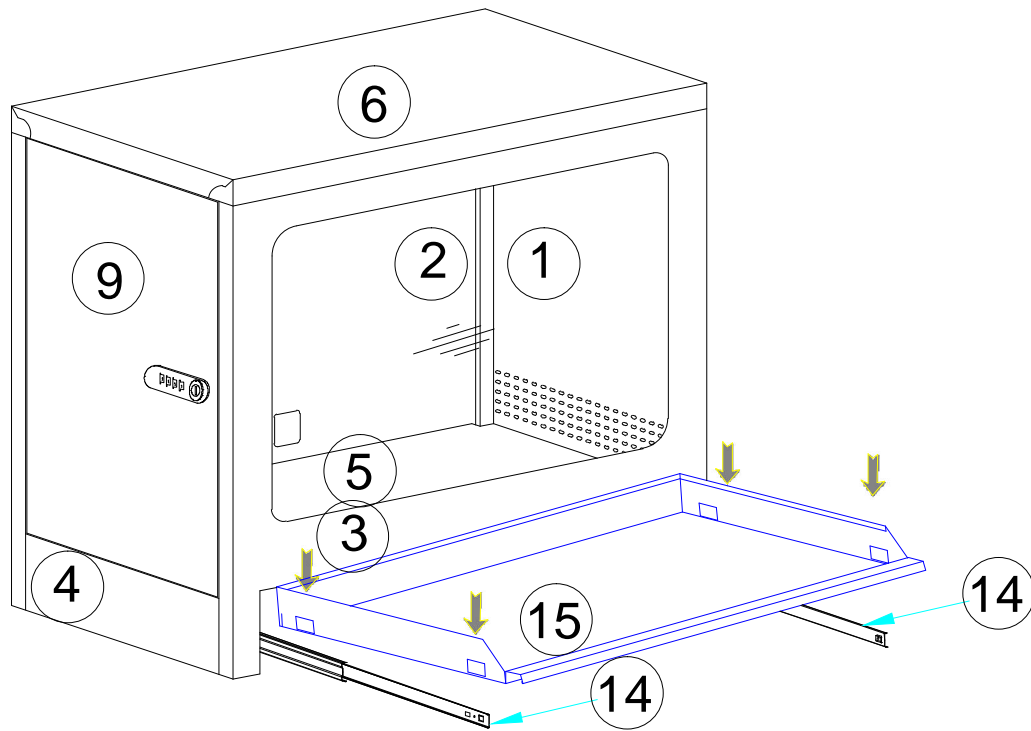


**STEP - A**

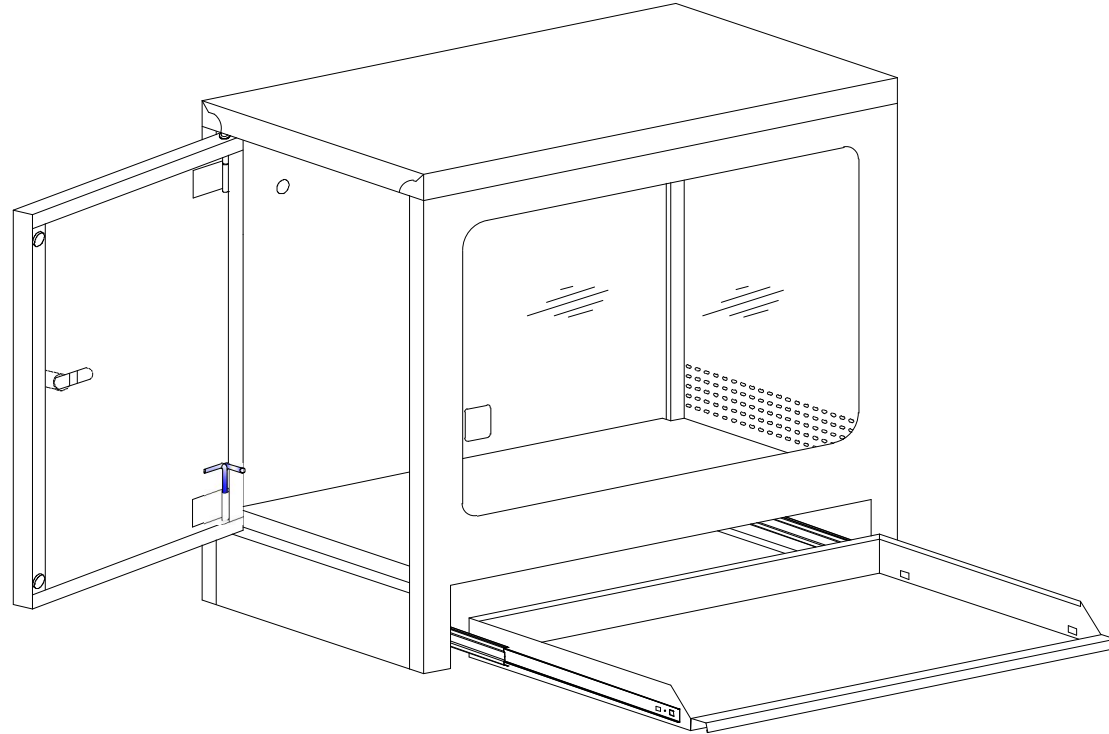


**STEP - B**

**STEP - 10**



**STEP - 11**



**STEP - 12**