



A better view is just the beginning



F-SERIES SIDESHIFTERS

Grease fittings are located in the upper hook for easy lubrication.

Cylinder support pin holds cylinder in place for easy installation.

High-strength, low-weight one-piece upper hook offers great visibility.

Centering key on J-plate makes installation easy.

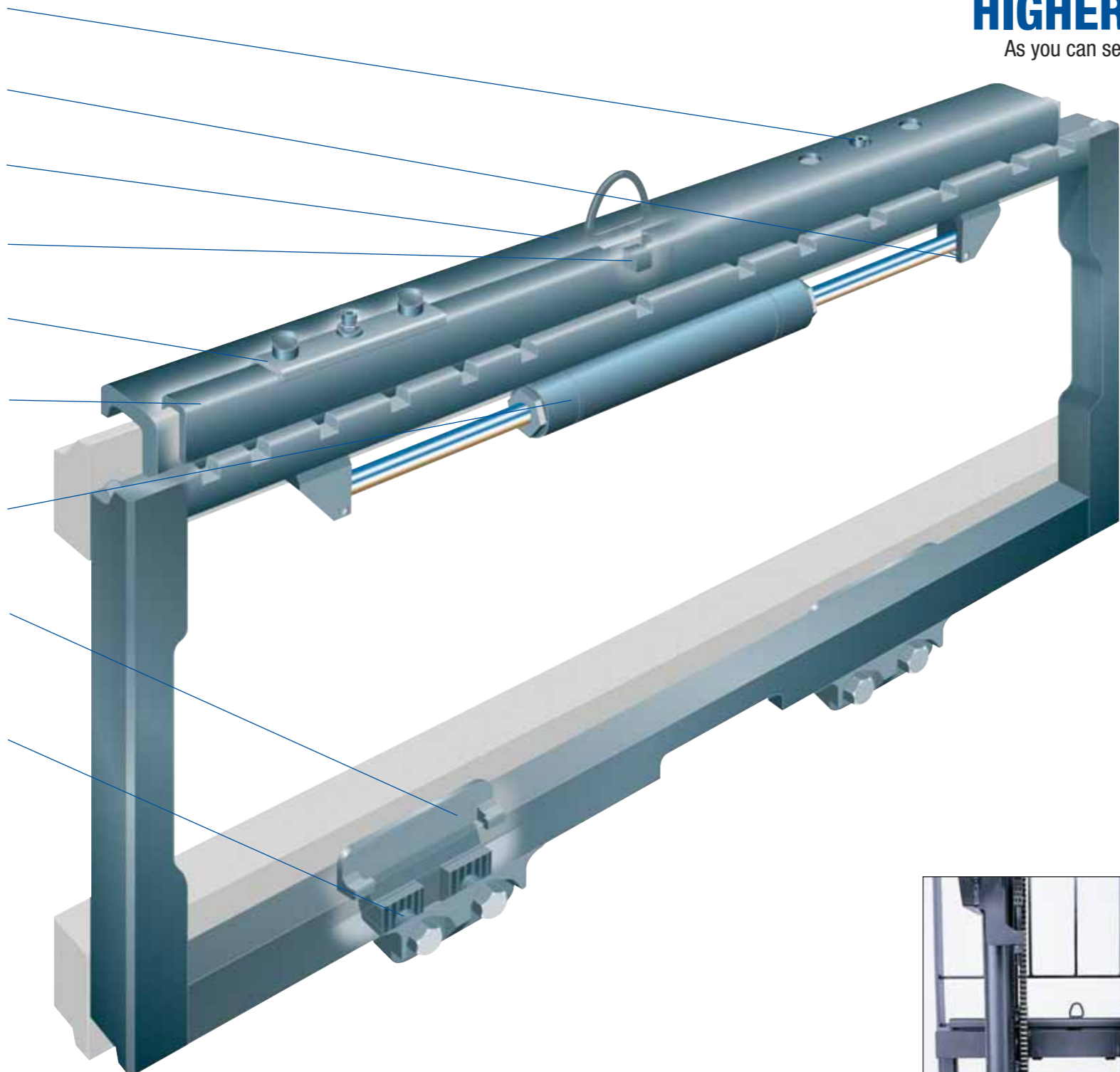
Bearings fully protected under upper hook.

Bearing rides on smooth finished J-plate to decrease friction and extend bearing life.

Cylinder is strategically placed out of the line of action for added protection and visibility.

Nylon lower bearings for long life and low maintenance. Snap-in design so bearing will not fall out.

Adjustable lower mounting hooks with patented serrated interface for positive adjustment.



HIGHER PRODUCTIVITY IS THE END RESULT

As you can see, our F-Series Sideshifter offers more than just visionary design. Look closely and you'll discover other far-sighted features that improve performance, productivity and speed. It's an investment that will pay off fast and carry you into the future.

■ ENHANCED VISIBILITY

The F-Series Sideshifter is designed with an upper "S" shape hook/fork bar for maximum visibility. With the high-visibility window – loads are easier to see.

■ HIGH NET CAPACITY

Excellent specifications optimize truck capacity.

■ FAST AND EASY 'NO-WELD' MOUNTING

All Cascade Sideshifters are shipped preassembled and greased, ready to install. No welding, drilling or tapping required.

■ UNIFORM SPEED

Double-ended cylinder rod design provides equal sideshift speed in both directions.

■ HIGH-PRESSURE CYLINDER

The F-Series Sideshifter uses a high-pressure cylinder that allows compatibility with trucks using up to 3,500 psi hydraulic systems without the need for additional hydraulic pressure reliefs.

■ LOWER BEARING DESIGN

Lower bearings are configured to complement high-visibility truck carriage bars.

■ BACKREST COMPATIBILITY

Cascade F-Series Sideshifters are available with OEM-compatible carriage widths and load backrest bolt patterns for most lift trucks.

■ SIMPLE HYDRAULIC HOOK UP

Cylinder placement allows for easy hook-up of hydraulic hoses to the internal reeving or hose reel.



F-Series Sideshifter is designed to fit narrow-aisle lift trucks.



High-visibility window – loads are easier to see.



Driver visibility allows maximum productivity.

OPTIONS



Narrow Aisle Sideshifter
Available for narrow aisle trucks.



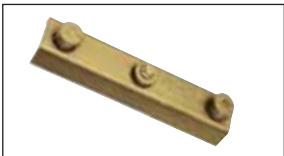
Pallet Protector
Prevents damage to the top deck boards of pallets.



Hydraulic Component Guard
Protects the hydraulic components of the lift truck and sideshifter.



Quick Disconnect Mounting
Allows the sideshifter to be removed from the truck carriage without using hand tools.

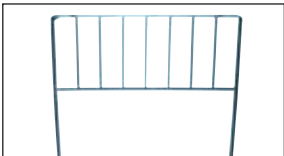


Bronze Bearings
Available for highly abrasive or contaminated environments.

Various Sideshift Strokes

100mm and 150mm restricted stroke models are available for restricted space applications. 300mm stroke models are available for extended sideshift applications.

LOAD BACKRESTS



Regulations may require the installation of a load backrest. We suggest you check your use of sideshifters against these requirements. Refer to your Cascade price list for part numbers and specifications.