



**100K Fork  
Positioner is easy  
to install, has  
excellent lost  
load, and can  
handle a variety  
of challenging  
applications.**

## Cost effective positioning for 5,000 kg capacity logistics applications.

### APPLICATIONS

The class III 5,000 kg capacity sideshifting fork positioner allows drivers to position forks accurately for a variety of pallet configurations, without ever leaving their seat. This new generation fork positioner is easy to install, has excellent lost load, and can handle a variety of challenging applications.

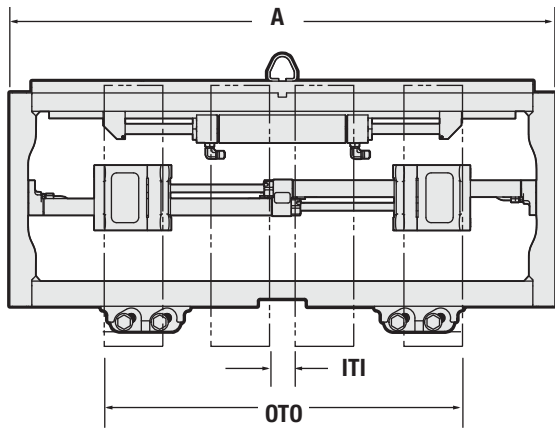
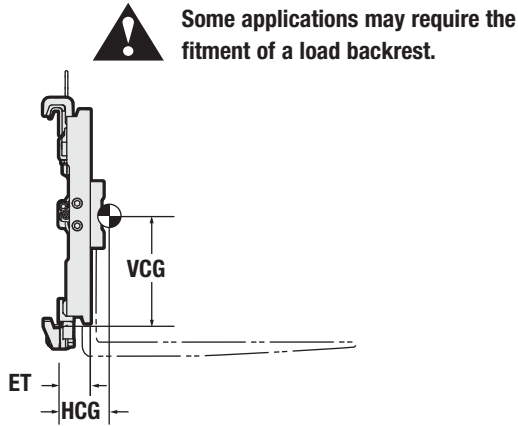
Recommended for logistic operations in distribution, warehouse and manufacturing applications, the 100K fork positioner is a very compact unit with excellent visibility both over, and through the frame, allowing the operator to quickly, accurately, and easily position the forks at all lift heights, right from the driver's seat.

### FEATURES

- Cascade load backrest compatibility
- Excellent operator visibility
- No-weld installation
- Zinc plated, corrosion resistant components
- Centre mount fork carriers

### OPTIONS

- Bolt-on pallet protector/cylinder guard combinations
- 1200 & 1500mm high load backrests
- Bronze bearings
- Bronze lower hooks
- Radio Frequency (RF) Hydraulic Control
- Non-Sideshifting (FP) units available
- Sequence Valve



## Sideshifting Fork Positioner: Sideshift 200mm

Model	Capacity @ Load Centre kg	Load Centre mm	Overall Width A (mm)	Fork Pocket Width mm	Opening Range (ITI) Min. (mm) Max. (mm)	Opening Range (OTO) Min. (mm) Max. (mm)	Mounting Class ISO 2328	Min Truck Carriage Width mm	Total Sideshift Available mm	Mass kg	Horizontal Centre of Gravity HCG (mm)	Vertical Centre of Gravity VCG (mm)	Effective Thickness ET (mm)
100K-FPS-B517	5,000	500	1,100	180	55 949	55 949	3	935	200	148	38	305	77
100K-FPS-B522	5,000	500	1,200	180	55 1,049	55 1,049	3	1,065	200	157	38	305	77
100K-FPS-B527	5,000	500	1,300	180	55 1,149	55 1,149	3	1,185	200	166	37	305	77
100K-FPS-B530	5,000	500	1,400	180	55 1,249	55 1,249	3	1,185	200	177	37	305	77
100K-FPS-B717 ①	5,000	500	1,100	180	55 949	55 949	3	935	200	148	38	305	77
100K-FPS-B722 ①	5,000	500	1,200	180	55 1,049	55 1,049	3	1,065	200	157	38	305	77
100K-FPS-B727 ①	5,000	500	1,300	180	55 1,149	55 1,149	3	1,185	200	166	37	305	77
100K-FPS-B730 ①	5,000	500	1,400	180	55 1,249	55 1,249	3	1,185	200	177	37	305	77

### NOTES

- ① Units fitted with L-Series 10mm elbow fittings.
- ▶ Maximum fork lengths 1500mm.  
For longer fork lengths consult Cascade.
- ▶ Available sideshift 200mm total.
- ▶ Forks are not included.
- ▶ Bolt on cylinder guard available. Consult Cascade.

- ▶ Backrest bolt pattern to allow the use of standard OEM backrests.
- ▶ Fork positioner function can be actuated with Radio Frequency Hydraulic Control Option. Consult Cascade for product introduction and pricing.
- ▶ 100K: Optional fork pocket width 122mm & 150mm.  
Add 110mm or 58mm to minimum opening range respectively.
- ▶ Maximum width (A) is limited to 1400mm.

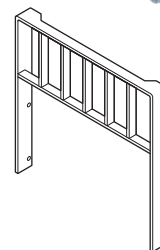
## OPTIONS



**Bolt-On Pallet/Cylinder Guard**  
provides additional protection for the pallet and cylinders.



**Pallet Protector**  
prevents damage to the top deck boards of pallets.



**Load Backrest**  
**Note:** Cascade makes custom load backrests.



**Radio Frequency Hydraulic Control**  
provides a simple, cost effective means to position the forks. Permits the use of a single auxiliary valve to control an additional hydraulic function.  
Eliminates the need for additional hydraulic hoses or electric cables and offers a minimum of installation time.



**Bronze Upper Bearings**  
for highly abrasive and contaminated environments.