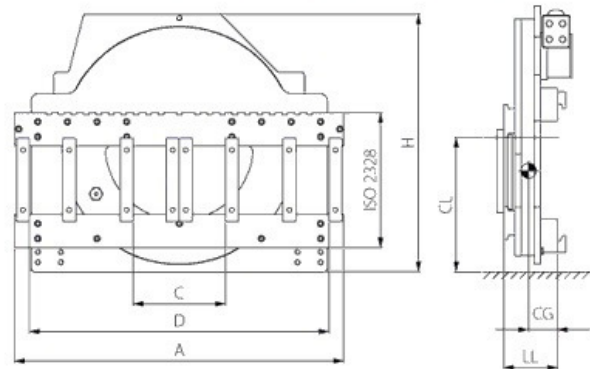


PRC Rotators 360°

1 hydraulic function
 Maximum pressure 180 bar
 Recommended oil flow 25 l/min
 Fork bar assy and locking fork pads included
 Without forks

Options:
 Different length of fork bars available
 Foundry front cover
 Foundry front and back cover

On demand:
 Pin-type fork models available on request
 Adjustable side arm for bins available on request
 180° rotation kit available on request



MODEL	CAPACITY kg/mm	A mm	H mm	CL mm	C mm	D mm	ROTATING TORQUE kN.m/140 bar	RPM/MIN with 30 Lt	LL mm	CG mm	WEIGHT kg	ISO 2328
PRC8D	1000/500	900	742	314	210	820	4	5.5	165	80	210	2
PRC18D	1800/500	900	742	314	210	820	4	5.5	170	80	215	2
PRC22D	2200/500	1040	775	314	210	895	5.5	4.8	170	80	225	2
PRC28D	2800/500	1150	775	415	310	1025	6.8	3.4	170	85	305	3
PRC32D	3200/500	1150	775	415	310	1025	8.5	2.8	175	85	325	3
PRC40D	4000/500	1300	840	420	330	1145	9.8	2.4	185	85	415	3
PRC45D	4500/500	1300	840	420	330	1145	9.8	2.4	185	90	440	3
PRC55D	5500/600	1300	960	572	380	1195	16	1.5	210	110	645	4
PRC70D	7000/600	1750	1060	590	615	1615	16	1.5	284	155	1115	4

AWRE OÜ
 Reg. address: Pärnumaa
 Lemmetsa 88311, Tiidu tee
 Reg. nr. 10914764

info@forklift.ee
 Tartu: 5090770
 Pärnu: 5029762
 Tallinn: 53434946