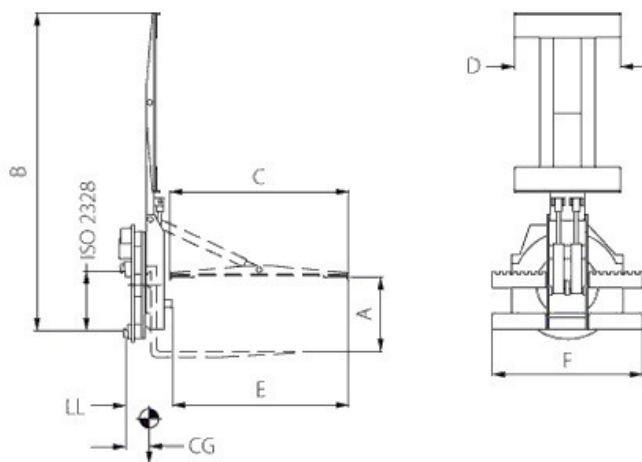


**RLC** Plastic container rotators



2 hydraulic functions  
 Maximum pressure 180 bar  
 Recommended oil flow 25 l/min  
 Without forks

On demand:  
 Separate sideshifter 100 + 100 mm on request  
 Split contact pad models available on request  
 180°

MODEL	CAPACITY kg/mm	A mm	B mm	C mm	D mm	E mm	F mm	LL mm	CG mm	WEIGHT kg	ISO 2328
RLC10A	1000/500	580/780	2400	1200	350	1250	670	270	290	290	2

360°

MODEL	CAPACITY kg/mm	A mm	B mm	C mm	D mm	E mm	F mm	LL mm	CG mm	WEIGHT kg	ISO 2328
RLC10	1000/600	340/705	2450	1250	760	1250	900	325	240	390	2
RLC18	1800/600	800/1050	2400	1200	800	1200	1300	360	250	480	3

AWRE OÜ  
 Reg. address: Pärnumaa  
 Lemmetsa 88311, Tiidu tee  
 Reg. nr. 10914764

info@forklift.ee  
 Tartu: 5090770  
 Pärnu: 5029762  
 Tallinn: 53434946