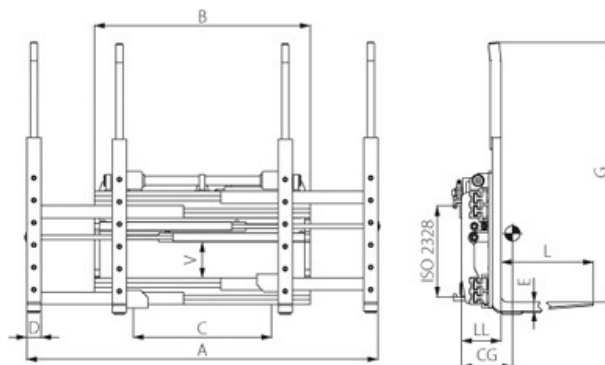


**DPS** Four-fork positioners for multi-pallets



- 2 hydraulic functions
- Maximum pressure 180 bar
- Recommended oil flow 20 l/min
- Separate sideshifter 100+100 mm for Class 2 and 3, 150+150 mm for Class 4
- Flow divider integrated
- Bolted forks
- C - Minimal width lift truck carriage

- Options:
- Models without sideshifter available on request
  - 6-fork positioners available on request

Models for europallet

MODEL	CAPACITY kg/mm	A mm	B mm	C mm	FORKS LxDxE	G mm	V mm	LL mm	CG mm	WEIGHT kg	ISO 2328
DPS16	1600/600	560/1970	950	800	1150x80x50	1300	160	230	230	555	2
DPS161	1600/600	560/1720	1200	800	1150x80x50	1450	160	230	222	590	2
DPS1812	1800/1200	560/1970	1250	950	2350x80x65	1450	250	270	517	930	3
DPS1812-4	1800/1200	560/1970	1250	950	2350x80x65	1450	250	285	509	959	4
DPS25	2400/600	560/1970	1200	850	1150x80x50	1450	200	230	222	605	3
DPS2612	2600/1200	560/1970	1300	950	2350x80x70	1450	250	275	528	955	3
DPS2612-4	2600/1200	560/1970	1300	950	2350x80x70	1450	250	290	519	984	4
DPS32	3200/600	560/2010	1200	900	1150x80x50	1450	200	230	219	615	3
DPS40	4000/600	560/1970	1250	900	1150x80x60	1450	250	265	235	745	3
DPS40-4	4000/600	560/1970	1250	900	1150x80x60	1450	250	265	231	774	4

AWRE OÜ  
 Reg. address: Pärnumaa  
 Lemmetsa 88311, Tiidu tee  
 Reg. nr. 10914764

info@forklift.ee  
 Tartu: 5090770  
 Pärnu: 5029762  
 Tallinn: 53434946