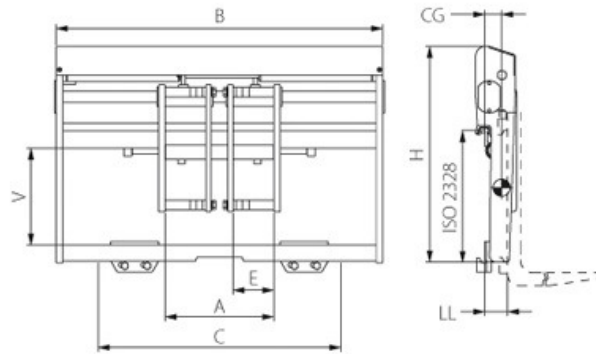


**PL-T** Fork positioners with bar-mounted FEM fork carriers with separate sideshifter



2 hydraulic functions  
 Maximum pressure 180 bar  
 Recommended oil flow 16 U/min  
 C - Minimal width lift truck carriage  
 Without forks  
 Technical data without forks  
 Maximum advised fork length 1400 mm  
 Self-lubricating upper sliding bushes  
 With chromed rounded upper bars

MODEL	CAPACITY kg/mm	A mm	H mm	C mm	B mm	E mm	V mm	LL mm	CG mm	WEIGHT kg	ISO 2328
PL 25T.092	2500/500	340/790	670	800	920	80/130	300	70	38	130	2
PL 25T.098	2500/500	340/850	670	800	980	80/130	300	70	38	133	2
PL 25T.104	2500/500	340/910	670	800	1040	80/130	300	70	38	137	2
PL 25T.110	2500/500	340/970	670	900	1100	80/130	300	70	38	143	2
PL 25T.115	2500/500	340/1020	670	900	1150	80/130	300	70	38	146	2
PL 25T.125	2500/500	340/1120	670	950	1250	80/130	300	70	38	153	2
PL 25T.130	2500/500	340/1170	670	950	1300	80/130	300	70	38	156	2
PL 25T.135	2500/500	340/1220	670	1050	1350	80/130	300	70	38	160	2
PL 25T.140	2500/500	340/1270	670	1050	1400	80/130	300	70	38	165	2
PL 25T.145	2500/500	340/1320	670	1050	1450	80/130	300	70	38	170	2
PL 35T.110	3500/500	380/960	780	900	1100	100/130	385	80	42	181	3
PL 35T.115	3500/500	380/1010	780	900	1150	100/130	385	80	42	185	3
PL 35T.125	3500/500	380/1110	780	1000	1250	100/130	385	80	42	193	3
PL 35T.130	3500/500	380/1160	780	1000	1300	100/130	385	80	42	197	3
PL 35T.135	3500/500	380/1210	780	1000	1350	100/130	385	80	42	201	3
PL 35T.140	3500/500	380/1260	780	1100	1400	100/130	385	80	42	205	3
PL 35T.145	3500/500	380/1310	780	1100	1450	100/130	385	80	42	209	3
PL 35T.150	3500/500	380/1360	780	1150	1500	100/130	385	80	42	213	3

AWRE OÜ  
 Reg. address: Pärnumaa  
 Lemmetsa 88311, Tiidu tee  
 Reg. nr. 10914764

info@forklift.ee  
 Tartu: 5090770  
 Pärnu: 5029762  
 Tallinn: 53434946

MODEL	CAPACITY kg/mm	A mm	H mm	C mm	B mm	E mm	V mm	LL mm	CG mm	WEIGHT kg	ISO 2328
PL 50T.110	5000/500	380/960	780	900	1100	100/150	365	80	43	200	3
PL 50T.115	5000/500	380/1010	780	900	1150	100/150	365	80	43	207	3
PL 50T.125	5000/500	380/1110	780	1000	1250	100/150	365	80	43	221	3
PL 50T.130	5000/500	380/1160	780	1000	1300	100/150	365	80	43	228	3
PL 50T.135	5000/500	380/1210	780	1000	1350	100/150	365	80	43	234	3
PL 50T.140	5000/500	380/1260	780	1100	1400	100/150	365	80	43	242	3
PL 50T.145	5000/500	380/1310	780	1100	1450	100/150	365	80	43	249	3
PL 50T.150	5000/500	380/1360	780	1150	1500	100/150	365	80	43	256	3
PL 50T.155	5000/500	380/1410	780	1250	1550	100/150	365	80	43	263	3
PL 50T.160	5000/500	380/1460	780	1250	1600	100/150	365	80	43	270	3
PL 50T.165	5000/500	380/1510	780	1300	1650	100/150	365	80	43	277	3

AWRE OÜ  
 Reg. address: Pärnumaa  
 Lemmetsa 88311, Tiidu tee  
 Reg. nr. 10914764

info@forklift.ee  
 Tartu: 5090770  
 Pärnu: 5029762  
 Tallinn: 53434946