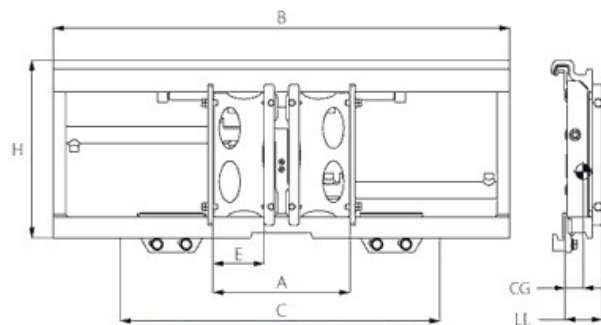


PN-T Fork positioners with FEM fork carriers with sideshifter



2 hydraulic functions
 Maximum pressure 180 bar
 Recommended oil flow 16 l/min
 C - Minimal width lift truck carriage
 Without forks
 Technical data without forks
 With separate sideshifter

MODEL	CAPACITY kg/mm	A mm	B mm	C mm	E mm	H mm	LL mm	CG mm	WEIGHT kg	ISO 2328
PN25T.092	2500/500	350/840	920	800	100/130	435	70	35	74	2
PN25T.098	2500/500	350/900	980	800	100/130	435	70	35	77	2
PN25T.102	2500/500	350/940	1020	800	100/130	435	70	35	79	2
PN25T.104	2500/500	350/960	1040	800	100/130	435	70	35	80	2
PN25T.110	2500/500	350/1020	1100	900	100/130	435	70	35	84	2
PN25T.115	2500/500	350/1070	1150	900	100/130	435	70	35	86	2
PN35T.110	3500/500	350/1020	1100	900	100/130	545	80	35	120	3
PN35T.115	3500/500	350/1070	1150	900	100/130	545	80	35	124	3
PN35T.125	3500/500	350/1170	1250	1000	100/130	545	80	35	130	3

AWRE OÜ
 Reg. address: Pärnumaa
 Lemmetsa 88311, Tiidu tee
 Reg. nr. 10914764

info@forklift.ee
 Tartu: 5090770
 Pärnu: 5029762
 Tallinn: 53434946