



**D 201 RH**  
**D 201 RHS**  
**D 201 RHG**  
**D 201 RHGS**

**D 250 RM**  
**D 250 RMS**  
**D 250 RMG**  
**D 250 RMGS**  
**D 250 RHG**  
**D 250 RHGS**

**D 300 RM**  
**D 300 RHG**



**D 250/300 R**



**D 201 R**



[www.ausa.com](http://www.ausa.com)

**AUSA Center, S.L.U.** ● Ctra. de Vic, Km 2.8 - P.O.B. 194, 08243 Manresa - BARCELONA (ESPAÑA) Tel.: +34 93 874 73 11 E-mail: [ausa@ausa.com](mailto:ausa@ausa.com)

ISO 9001

ISO 14001



(Sede central AUSA-Manresa)

**AUSA Madrid** ● Pol. Ind. Coslada-Marconi 15-17, 28823 Coslada - MADRID (ESPAÑA) Tel.: +34 91 669 00 06 E-mail: [ausa.madrid@ausa.com](mailto:ausa.madrid@ausa.com)

**AUSA France** ● Z. I. Saint Charles-Rue de Zürich, 66000 PERPIGNAN (FRANCE) Tel.: +33 (0) 4 68 54 38 97 E-mail: [ausa.france@ausa.com](mailto:ausa.france@ausa.com)

**AUSA Verkauf & Service Deutschland** ● Heinrich - Welken Straße 5, 59069 HAMM - RHYNERN (GERMANY) Tel.: +49 (0) 2385-9359362 E-mail: [info@ausa.de](mailto:info@ausa.de)

**BEIJING Rep. Office** ● Address Room 527, HengXiang Building, Tuanjiehu Nanli, Chaoyang District. - Beijing 100026 CHINA

Tel: 86-10-8597 1983 - Fax: 86-10-8597 1993 - E-mail: [ausa.china@ausa.com](mailto:ausa.china@ausa.com)

**AUSA UK** ● Sales: 07970639988 E-mail: [ausa.uk@ausa.com](mailto:ausa.uk@ausa.com)

**AUSA Brasil** ● Tel. +55 51 33622111 - E-mail: [ausa.brasil@ausa.com](mailto:ausa.brasil@ausa.com)

**AUSA Mexico** ● Calzada Vallejo, 725. 07750 Del. Gustavo A. Madero, México D.F. (MÉXICO) Tel.: +55 2166-9066 - E-mail: [ausa.mexico@ausa.com](mailto:ausa.mexico@ausa.com)

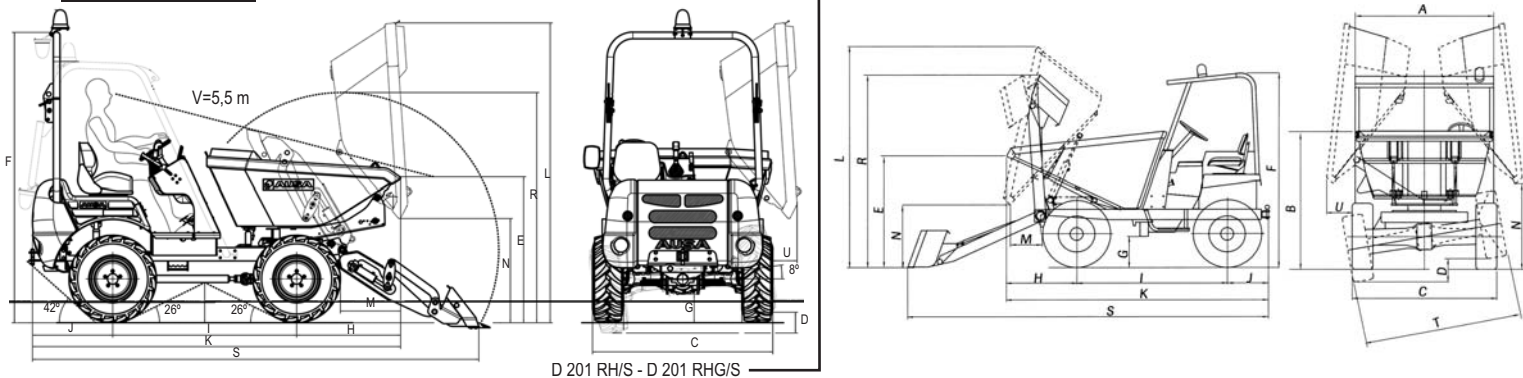


DIMENSIONS (mm)

	D 201 RH / S	D 201 RHG / S	D 250 RM / S	D 250 RMG / S D 250 RHG / S	D 300 RM	D 300 RHG
<b>D 201 RH</b> 2000 Kg	1565	1540	1840 / 1700	1568 / 1520	1840	1568
<b>D 201 RHG</b> 2000 Kg	1445	1545	1632 / 1560	1690 / 1605	1632	1690
<b>D 250 RM</b> 2500 Kg	1590 / 1750	1590 / 1750	1800 / 1800	1800 / 1800	1800	1800
<b>D 250 RMG</b> 2500 Kg	185	185	200 / 200	200 / 200	200	200
<b>D 250 RHG</b> 2500 Kg	1195	1295	1380 / 1305	1530 / 1445	1380	1530
<b>D 300 RM</b> 3000 Kg	2580	2580	2240 / 2240	2240 / 2240	2240	2240
<b>D 300 RHG</b> 3000 Kg	255	255	350 / 350	350 / 350	350	350
	885	925	993 / 807	926 / 842	993	926
	1640	1640	1730 / 1730	1730 / 1730	1730	1730
	715	715	500 / 500	500 / 500	500	500
	3020	3280	3231 / 3044	3164 / 2980	3231	3164
	2245	2665	2580 / 2550	2840 / 2885	2580	2890
	275	535	603 / 417	536 / 452	603	536
	570	930	570 / 720	1030 / 1105	570	1030
	- / 2045	- / 2045	2100 / 2100	2100 / 2100	2100	-
	- / 3980	- / 3980	4174 / 4174	4174 / 4174	4174	-
	1590	1590	1700 / 1700	1700 / 1700	1700	1700
	-	215	- / -	177 / 100	-	177

S : Dumper equipped with self-loading shovel

V: maximum visibility with the shovel fully retracted (patented system)



TECHNICAL SPECIFICATIONS

	D 201 RH / S	D 201 RHG / S	D 250 RM / S	D 250 RMG / S	D 250 RHG / S	D 300 RM	D 300 RHG
<b>Load capacity (Kg)</b>	2000		2500			3000	
<b>Unloading system</b>	Frontal hydraulic	Hydraulic, 180° rotating	Frontal hydraulic	Hydraulic, 180° rotating	Hydraulic, 180° rotating	Frontal hydraulic	Hydraulic, 180° rotating
<b>Chassis</b>	Rigid						
<b>Hopper capacities (l)</b>	Water	650	1290 (900 w/shovel)	1050 (850 w/shovel)	1050 (850 w/shovel)	1290	1050
	Levelled	960	1800 (1315 w/shovel)	1200 (950 w/shovel)	1200 (950 w/shovel)	1800	1200
	Heaped	1250	1950 (1500 w/shovel)	1400 (1200 w/shovel)	1400 (1200 w/shovel)	1950	1400
<b>Engine</b>	Diesel	KUBOTA V1505		Lombardini 9LD 626		ISUZU 4LE2	
	Power (KW/HP)	22.7 / 30.8 (SAE J1995)		17.5 / 23.8 (DIN 70020)		38 / 51.7 (SAE J1995)	
	N° of Cylinders	4		2		4	
	Cooling system	Water		Air		Water	
<b>Drive</b>	4 x 4 permanent Compen® System		4 x 4 permanent Compen® System (Models: RM, RMG, w/shovel) / 4 x 4 permanent (Models: RHG)				
<b>Transmission</b>	2-speed hydrostatic Electric gear inverter on the joystick		Mechanical, with 4 forward gears and 4 reverse		2-speed hydrostatic Electric gear inverter		Mechanical, with 4 forward gears and 4 reverse
<b>Clutch</b>	-		Dry single-disc ∅254 mm. Mechanically-driven		-		Dry single-disc ∅254 mm. Mechanically-driven
<b>Engine starting system</b>	-		Electric		-		-
<b>Speed (max.) (Km/h)</b>	1600 / 1800		1850 / 2050		1970 / 2170		2000
<b>Unladen weight (Kg)</b>	42%		35%		42%		38%
<b>Gradeability</b>	Gear pump of 8 cc		Working pressure 190 bar		Gear pump of 10.6 cc.		Working pressure 160 bar
<b>Hydraulic circuit</b>	-		-		-		-
<b>Tyres</b>	Front	-		10.0/75-15.3 (10 PR)		-	
	Rear	-		10.0/75-15.3 (10 PR)		-	
<b>External turning radius (mm)</b>	4190		4500		-		-
<b>Steering</b>	Hydraulic. Working pressure 80 bar.		Hydraulic. Working pressure 70 bar.				
<b>Tank capacity (l)</b>	Fuel	40		30		-	
	Hydraulic fluid	-		-		-	
<b>Service brake</b>	Sealed oil-immersed multidisc		Oil-immersed, multidisc, hydraulically operated		Hydraulic, drum-type, on front driving shaft		Oil-immersed, multidisc, hydraulically operated
<b>Parking brake</b>	Sealed oil-immersed multidisc		Mechanical, drum-type, on front driving shaft				

STANDARD EQUIPMENT

	Anti vandal system
	Audible reverse warning
	Ergonomic seat with seat belt
	ROPS protection
	Rotating beacon
	Rear view mirror
<b>Self-loading shovel *</b>	Volumetric capacity
	180 l.
	250 l.

\* (only RMS/RHS/RMGs/RHGS models)

OPTIONAL EQUIPMENT

	Closed cabin
	Front windscreen with wiper
	Second seat
	FOPS/ROPS
	FOPS/ROPS protective roof (Seat belt, rotating beacon, rear view mirror)
	Homologated lighting equipment
	Towing hitch
<b>Back-hoe</b> (only in self-loading shovel version)	Maximum digging deep: 2750 mm. Break out power: 3970 kg. Transportation height: 2250 mm. Fast-attach system of the backhoe to the dumper. Operating site: 360° rotating seat. Weight: 900 Kg.