

208 mm

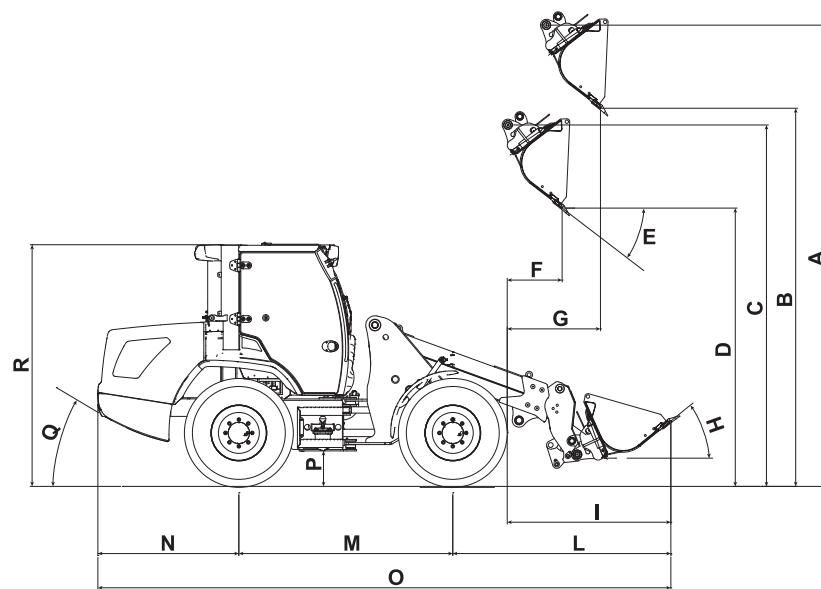
210 mm

210 mm

PERFORMANCE

	T40	T50	T60
Tipping load with aligned machine (retracted boom) (Kg)	3600	3850	3950
Tipping load in max articulated position (retracted boom) (Kg)	3200	3400	3450
Tipping load with aligned machine (extended boom) (Kg)	2100	2450	2350
Tipping load in max articulated position (extended boom) (Kg)	1850	2000	2050

Data for machines with quick attachment



DIMENSIONS

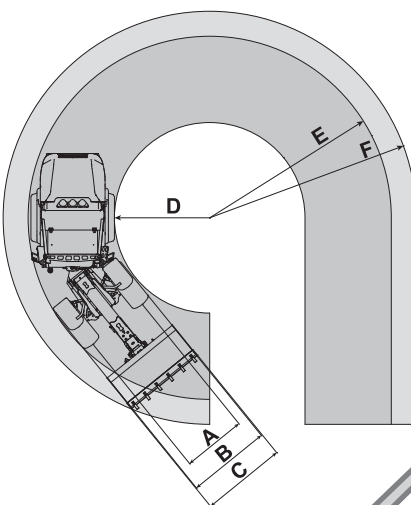
	T40	T50	T60
A	4315	4745	5010
B	3460	3890	4155
C	3405	3720	3840
D	2550	2860	2990
E	40°	40°	40°
F	435	565	610
G	785	960	1060
H	40°	40°	40°
I	1605	1680	1805
L	2100	2240	2365
M	2150	2200	2200
N	1400	1450	1450
O	5650	5890	6015
P	300	365	365
Q	30°	31°	31°
R	2420	2490	2490

Measurements expressed in millimetres

DIMENSIONS

	T40	T50	T60
A	1350	1430	1430
B	1675	1880	1880
C	1700	1900	2000
D	2150	2100	2100
E	3890	4045	4045
F	4350	4600	4700

Measurements expressed in millimetres



DIMENSIONS

	T40	T50	T60
A	4000	4460	4720
B	3070	3430	3550
C	710	830	830
D	365	340	435
E	500	355	405
F	910	750	850
G	2290	2500	2780
H	1910	2100	2365
I	1315	1400	1530
L	990	1070	1190
M	500	500	500
N	2420	2490	2490
O	1400	1450	1450
P	2150	2200	2200
Q	1485	1630	1750
R	5035	5280	5400
S	300	365	365
T	30°	31°	31°

Measurements expressed in millimetres

PERFORMANCE

	T40	T50	T60
Operative load EN474.3 (80%) retracted (Kg)	2000	2200	2300
Operative load EN474.3 (60%) retracted (Kg)	1500	1600	1725
Operative load EN474.3 (80%) extended (Kg)	1250	1350	1400
Operative load EN474.3 (60%) extended (Kg)	950	1000	1050

Data for machines with quick attachment



www.dieci.com

Dieci S.r.l. - Via E. Majorana, 2-4 - Montecchio Emilia (RE) ITALY
Tel. +39 0522 869611 - Fax +39 0522 869798 - E-mail: info@dieci.com

DIECI



AGRI PIVOT

Preliminary



T40

T50

T60

210 mm

210 mm

208 mm

PERFORMANCE	T40	T50	T60
Operating load with standard bucket and quick connection (kg)	4850	5470	6020
Standard bucket capacity (m3)	0,75	0,85	0,95
Breakout force (daN)	4075	4550	4800
Maximum negotiable gradient	60%	60%	80%
Traction force (daN)	3400	4200	4700
Max speed (km/h)	22	30	40

BOOM	T40	T50	T60
Times: (in seconds)			
Lifting	6,6	5,6	5,4
Descent	3,4	3,1	2,9
Extension	2,3	2,5	2,5
Retraction	1,3	1,3	1,3
Tilt (Recall)	2,0	2,1	1,9
Tilt (Unloading)	1,5	1,5	1,3
Patented compensation system			

ENGINE	T40	T50	T60
Brand	KUBOTA	YANMAR	YANMAR
Maximum power kW (hp)	36,5 (50)	50 (68)	55 (75)
Speed setting (rpm)	2700	2500	2500
Operation	4-stroke Diesel	4-stroke Diesel	4-stroke Diesel
Injection	Direct mechanical	Direct electronic	Direct electronic
Number and arrangement of cylinders	4, vertical in line	4, vertical in line	4, vertical in line
Displacement (cm3)	2615	3319	3319
Specific consumption (g/kWh)	235	248	254
Intake	Natural	Natural	Turbo compressor
Cooling system	Liquid	Liquid	Liquid
Starting VOLTS	12	12	12

HYDRAULIC PLANT	T40	T50	T60
Gear pump with capacity at max. speed (lt/1'):	72	86	98
Max operational pressure (bar):	260	260	260

TRANSMISSION	T40	T50	T60
Hydrostatic transmission with variable capacity pump and hydrostatic engine with automatic adjustment	•	•	•
Number of speeds, forward-reverse	2-2	2-2	4-4
Mechanical transmission	No	No	•
Inching pedal for controlled advancement	•	•	•

DIFFERENTIAL AXLES - STEERING	T40	T50	T60
Rigid Axles: 2, with planetary gearheads	•	•	•
Front axle fixed to the frame	•	•	•
Oscillating rear axle with total range	25°	25°	25°
Service brake in oil bath on the front servo controlled axle	•	•	•
Parking brake with negative operation	•	•	•
Articulated frame steering, total steering angle:	80°	80°	80°
Servo controlled steering through hydraulic steering gear (Load Sensing)	•	•	•

TYRES	T40	T50	T60
Tyres	12.5 - 18	14.5 - 20	405/70 - 20
Alternative	365/70R18	405/70R20	420/75R20
Alternative	405/70R18	500/45 - 20	500/45 - 20

REFUELLING (Litres)	T40	T50	T60
Hydraulic plant (total)	70	78	80
Fuel tank	75	100	100

EQUIPMENT	T40	T50	T60
Mechanical quick attachment "Dieci"	•	•	•
Mechanical quick attachment "ISO 6165"	•	•	•
Floating Fork	•	•	•
FEM II Forks	•	•	•
Standard Bucket	•	•	•
Enlarged grain bucket	•	•	•
4-in-1 multi-use bucket	•	•	•
Blade bolted instead of teeth (Std. Bucket)	•	•	•
Blade under the teeth (Std. Bucket)	•	•	•
Mixing bucket for cement	•	•	•
Mechanical fork, "Industrial"	•	•	•
Mechanical fork, "Agricultural"	•	•	•
Angle dozer blade	•	•	•
Snow blade with float	•	•	•
Tilt dozer blade	•	•	•
Sweeper with collection bucket	•	•	•
Angle sweeper	•	•	•
Front shredder	•	•	•
Two stage snowblower	•	•	•
Autolevelling asphalt and cement cutter	•	•	•
Crusher bucket	•	•	•
Wheel excavator	•	•	•
Chain excavator	•	•	•
Wheeled vibrating compactor	•	•	•
Asphalt spreader	•	•	•
Snow plough	•	•	•
Separating bucket	•	•	•

LEGEND
• = Available
○ = Not available

EQUIPMENT	T40	T50	T60
Hydraulic servo-control	•	•	•
Hydraulic line accessories	•	•	•
Drainage line	○	○	○
Power brake		•	•
Inch pedal	•	•	•
Anti-pitch		○	○
Heating	•	•	•
Air conditioning	○	○	○
Extinguisher	○	○	•
Wheel wedge	○	○	•
Battery switch	•	•	•
Standard towing hook	•	•	•
Certified towing hook *	○	○	○
Seat moved *	○	○	•
Outer wheel covers (Non-marking)	○	○	•
Inner wheel covers (Non-marking)	○	○	○
Standard tyres	12.5x18	14.5x20	405/70R20
Optional tyres	365/70R18	405/70R20	420/75R20
Optional tyres	405/70R18	500/45-20	500/45-20
Long life seals (Pins - Bushings)	•	•	•
Dry engine air filter with ejector	•	•	•
Soundproofing kit	•	•	•
Proportional front differential lock	•	•	•
Proportional rear differential lock			○
Front and rear supplementary work lights	○	○	•
Mechanical quick attachment, standard	•	•	•
Radio with CD player	○	○	○
Steering wheel with adjustable length and height	•	•	•
Voltage outlet outside of cab	•	•	•
Electrical contact on the boom head	○	○	○
Spotlight on boom head	○	○	○
Rear hydraulic outlet	○	○	○
Antiheft immobilizer	○	○	○
Water heaters	○	○	○
Seat with pneumatic suspension	○	○	○
Front wipers with windshield washer	•	•	•
Rear wipers with windshield washer	•	•	•
Front sun protection	○	○	•
Self-cleaning engine pre-filter	•	•	•
Side rearview mirrors	•	•	•
Keyed hydraulic oil tank cap	•	•	•
Keyed gas tank cap	•	•	•
Mobile holder	○	○	○

LEGEND
• = Standard
○ = Optional
* = Only for machines with agricultural tractor certification (Available starting in September 2013)