

# Instruction Manual

## Gator Grip Forklift Drum Grab



DG360A



DG720A

**Note:** The Owner/Operator must read carefully and understand all the information presented here before operation.

THANK YOU FOR USING THIS GATOR GRIP FORKLIFT DRUM GRAB. FOR YOUR SAFETY AND CORRECT OPERATION, PLEASE CAREFULLY READ THIS INSTRUCTION BEFORE USING IT.

**NOTE:** All of the information reported herein is based on data available at the moment of printing. The factory reserves the right to modify its own products at any moment without notice and incurring in any sanction. So it is suggested to always verify possible updates.

The drum grab is designed for grabbing and transport the drums as an attachment to the forklift.

If you have any questions after reading this manual, please contact your supplier in time.

### 1. SPECIFICATION

Model		DG360A	DG720A
Capacity	(kg)	360	720
Drum Size	(gallon)	55	55×2
Net Weight	(kg)	60	96

### 2. PACKING

The drum grab is packed with soft material. Please check carefully whether there is something damaged because of transporting or other problems when opening the packing. If does, please fill in the complaint list and send it to your provider.

### 3. SAFETY

Warning: The drum grab is designed for special usage. Please pay

attention to the following items to ensure your proper operation.

- (1) The rated capacity of this drum grab is 360kg.
- (2) Never overload the forklift beyond its rated capacity.
- (3) It is designed for catching the drum. You must tighten the drum cover before grabbing it.
- (4) Contact the fork manufacturer to choose suitable fork feet before use.
- (5) Never lift a person or other goods.
- (6) Do not lift the drum for a long time.
- (7) Do not ruin or tear the warning label.
- (8) Please check carefully before use. Repair it in time if it is damaged somewhere.
- (9) Do not modify this product without the permission of the manufacturer.

#### **4. INSTRUCTIONS**

- (1) Installation: Put the grab on the flat ground, adjust the distance between two fork feet to fit the slot of the grab.
- (2) Tighten the spanner manually or with a tool, or button the eyebolt on the forklift with chains. Check the spanner regularly to make sure it is not loose.
- (3) Forklift lift the grab near the drum and grab the top brim of the drum, then the grab will hold the drum when forklift rise gradually, then you can move the drum.
- (4) The grab will separate automatically when the drum has been laid down.
- (5) When lifting two drums, try to get them close and ensure their weights are similar to keep their balance.
- (6) The grab is designed as a spring structure. It won't separate

automatically even if loosing the gravity when bumping.

## **5. MAINTENANCE**

Please lubricate active parts regularly.

## **6. RESPONSIBILITY**

Contact the supplier in 9 days if there is something wrong with the product.

## **7. LIMITED RESPONSIBILITY**

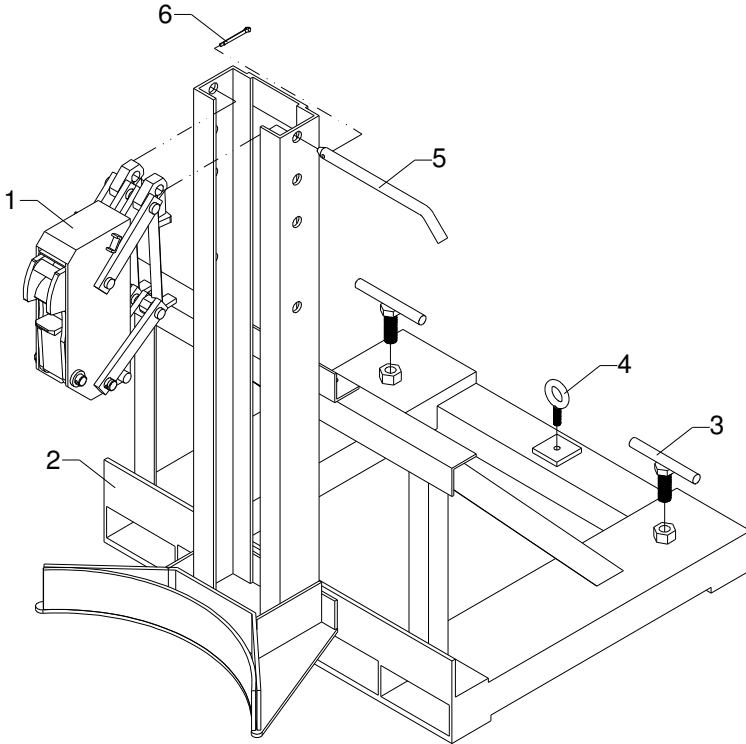
The manufacturers disclaim all responsibility for the damage caused by misuse, wrong operation or not following the instructions.

## **8. ORDER COMPONENT**

Please contact your supplier when you want to order some component.

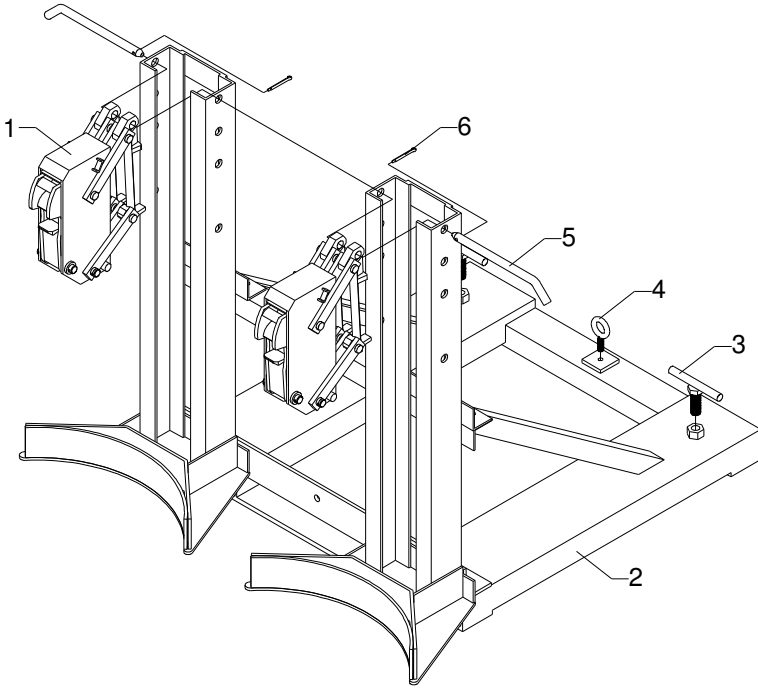
# 9. EXPLODED VIEW & PART LIST

## 9.1 DG360A



Item	Description	Qty	Remark
1	Drum clasp	1	
2	Pedestal	1	
3	Spanner	2	
4	Eyebolt	1	
5	Pin	1	
6	Pin	1	

### 9.1 DG720A



Item	Description	Qty	Remark
1	Drum clasp	2	
2	Pedestal	1	
3	Spanner	2	
4	Eyebolt	1	
5	Pin	2	
6	Pin	2	