



Series H

C 300 H

C 300 H x4 

C 350 H

C 350 H x4 

Series HI

C 300 HI

C 300 HI x4 

C 350 HI

C 350 HI x4 



**FullGrip® System exclusivo AUSA:**  
Tracción integral por discos múltiples conectable electro-hidráulicamente desde el mando joystick.

**FullGrip® System:**  
On demand 4WD connectable by means multiple discs with electro-hydraulic engagement from the joystick.

**FullGrip® System de AUSA:**  
4 RM sur demande au moyen de disques multiples avec connexion électro-hydraulique depuis le joystick.

**FullGrip® System:**  
Elektrohydraulisch, zuschaltbarer Allradantrieb – am Joystick zu betätigen.



www.ausa.com

**AUSA Center, S.L.** ● Ctra. de Vic, Km 2.8 - P.O.B. 194. 08243 Manresa - BARCELONA (ESPAÑA) Tel.: +34 93 874 73 11 - E-mail: ausa@ausa.com

ISO 9001

ISO 14001



**AUSA Madrid** ● Pol. Ind. Coslada - C. Marconi 15-17. 28823 Coslada - MADRID (ESPAÑA) Tel.: +34 91 669 00 06 - E-mail: ausa.madrid@ausa.com

**AUSA France** ● Z. I. Saint Charles - Rue de Zürich, 66000 PERPIGNAN (FRANCE) Tel.: +33 (0) 4 68 54 38 97 - E-mail: ausa.france@ausa.com

**AUSA Deutschland** ● Heinrich - Welken Str. 5. 59069 HAMM (GERMANY) Tel.: +49 (0) 2385-9359362 - E-mail: ausa.deutschland@ausa.com

**BEIJING Rep. Office** ● Address Room 527. HengXiang Building, Tuanjiehu Nanli, Chaoyang District. - BEIJING 100026 (CHINA)

Tel.: 86-10-8597 1983 - Fax: 86-10-8597 1993 - E-mail: ausa.china@ausa.com

**AUSA UK** ● Tel.: 07970639988 - E-mail: ausa.uk@ausa.com

**AUSA Brasil** ● Tel.: +55 51 33622111 - E-mail: ausa.brasil@ausa.com

**AUSA México** ● Gustavo Baz, 47. 53489 Naucalpan de Juarez, Edo. de México (MÉXICO) Tel.: +55 2166-9066 - E-mail: ausa.mexico@ausa.com

(Sede central AUSA-Manresa)

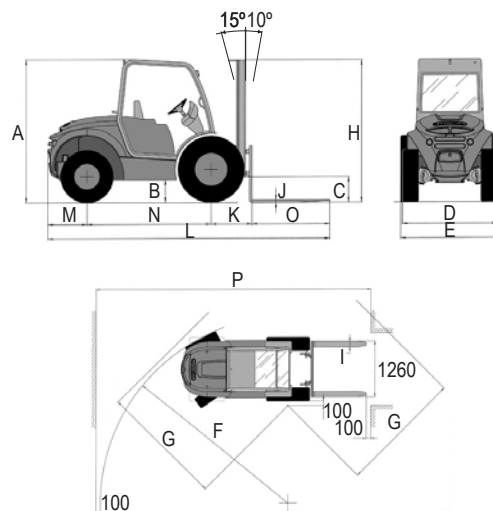


**C 300 H/HI\_3000Kg**  
**C 350 H/HI\_3500Kg**



[www.ausa.com](http://www.ausa.com)

DIMENSIONS (mm)	C 300 H	C 300 HI	C 300 Hx4 C 300 Hlx4	C 350 H	C 350 HI	C 350 H x4 C 350 Hlx4
A	2200	2200	2200	2240	2240	2240
B	250	250	220	250	250	220
C	325	325	325	380	380	380
D	1460	1460	1460	1460	1460	1460
(narrow axle) E	1540	1540	1540 (H/HI)	1770	1770	1770 (H/HI)
(wide axle) E	1870	-	1870 (H)	1910	-	1910 (H)
F	3500	3500	4280	3500	3500	4280
G	2850	2850	3005	2850	2850	3005
I	120	120	120	120	120	120
J	50	50	50	50	50	50
K	750	750	750	750	750	750
L	4500	4500	4500	4500	4500	4500
M	600	600	600	600	600	600
N	1950	1950	1950	1950	1950	1950
O	1200	1200	1200	1200	1200	1200
P	5600	5600	6805	5600	5600	6805



Type of mast	Maximum lifting height (mm)	Front axle	Free lift (mm)	Machine height with mast retracted (mm)				Machine height with mast extended (mm)		Load (Kg) at max. height					
				C 300 H/HI	C 350 H/HI	C 300 Hx4 C 300 Hlx4	C 350 Hx4 C 350 Hlx4	C 300 H/HI C 300 Hx4/HI	C 350 H/HI Hx4	(A) C 300 H/Hx4 (narrow axle)	(B) C 300 H/Hlx4 (narrow axle)	(A) C 300 H/Hx4 (wide axle)	(A) C350H / Hx4 (narrow axle)	(A) C350H / Hx4 (wide axle)	(B) C 350 H/Hlx4 (narrow axle)
Duplex (Std.)	3300	Narrow /Wide (op.)	120	2600	2670	2600	2670	4500	4500	3000	3000	3000	3500	3500	3500
Duplex	4000	Narrow /Wide (op.)	120	2950	2990	2950	2990	5200	5200	2250	2550	3000	3000	3500	3000
Triplex (free lift)	3700	Narrow /Wide (op.)	1200	2090	2130	2090	2130	4900	4900	2400	2700	3000	3200	3500	3200
Triplex (free lift)	5400	Wide	1680	2660	2700	2660	2700	6600	6600	-	1300	1500	-	1600	1500
Triplex (free lift)	6780	Wide	2280	-	3220	-	3220	-	7820	-	1000	-	-	600	1200

TECHNICAL SPECIFICATIONS		C 300 H / C 300 HI		C 300 Hx4 / C 300 Hlx4		C 350 H / C 350 HI		C 350 Hx4 / C 350 Hlx4	
Load capacity (Kg) @ centre of gravity		3000 a 500mm / 2800 a 600mm				3500 a 500mm / 3250 a 600mm			
Lifting height (Standard duplex mast) (mm)		3300							
Engine	Diesel / Turbodiesel (C300H)	KUBOTA V 2403 - M				KUBOTA V 3600			
	Power acc./SAE J 1995 (KW/HP)	36.5 / 50				48.6 / 66			
	N° of cylinders	4							
	Cooling system	Water							
Traction		4x2		4x4 FullGrip®		4x2		4x4 FullGrip®	
Transmission		Hydrostatic with variable flow pump and automatic regulation. Electric gear inverter in joystick. Inching pedal.							
Unladen weight (Kg) (with full tanks)		4700		4900		5000		5200	
Gradeability		35%				32%			
Speed (Maximum) (Km/h)		20							
Engine starting system		Electric							
Tyres	Front	12.5 / 80-18		12.5 / 80-18		16.5 / 70-20		16.5 / 70-20	
	Rear	27x10-12 (C300H/HI/Hlx4)		10.0 / 75-15.3 (C300Hx4)		27x10-12 (C350H/HI/Hlx4)		10.0 / 75-15.3 (C350Hx4)	
Steering		Hydraulic. Working pressure 140 bar.							
External turning radius (mm)		3500		4280		3500		4280	
Tank capacity (l)	Fuel	80							
	Hydraulic fluid	85							
Service brake		Oil-immersed, multidisc							
Parking brake		Oil-immersed, multidisc							
Hydraulic circuit		18-8 cc. double gear pump. Working pressure 170 bar.				Bom18-8 cc. double gear pump. Working pressure 190 bar.			
Operating pressures for accessories (bar)		170				190			
Forkcarriage		FEM 3 - Wide: 1200mm (optional:1660mm)							
Stability test standard	(A)	For rough terrain use EN1726 - 1 - AP.H (Models H)							
	(B)	For semi-industrial use EN 1726 - 1 ISO 1074 (Models HI)							
STANDARD EQUIPMENT		<p>Open and tilting cabin</p> <p>Joystick with integrated functions, "total control of movements"</p> <p>Ergonomic and comfort seat with height, weight and distance adjustable with seat belt</p> <p>Audible reverse warning</p> <p>Rear view mirrors</p> <p>Rotating beacon</p> <p>3rd auxiliary hydraulic service</p> <p>Side-shift</p>							
OPTIONAL EQUIPMENT		<p>Semi - closed cabin</p> <p>Closed cabin with heater</p> <p>Radio/stereo CD</p> <p>Electronic anti-theft protection system</p> <p>Homologated lighting equipment</p> <p>Air Conditioning</p> <p>Working lights</p> <p>4th auxiliary hydraulic service</p> <p>5 th auxiliary hydraulic service</p> <p>Catalytic converter</p> <p>Spark arrestor</p> <p>Load backrest</p> <p>Limited slip differential in front axle</p> <p>Enhanced heater for Nordic countries</p> <p>600, 800 and 1000 litre hydraulic buckets</p> <p>Many other attachments fitted with manufacturer warranty</p>							