





Series H

- C 150 H**
- C 150 H x4** 
- C 200 H**
- C 200 H x4** 
- C 250 H**
- C 250 H x4** 

Series HI

- C 150 HI**
- C 200 HI**
- C 200 HI x4** 
- C 250 HI**
- C 250 HI x4** 



FullGrip® System exclusivo AUSA:
Tracción integral por discos múltiples conectable electro-hidráulicamente desde el mando joystick.

Exclusive AUSA FullGrip® System:
On demand 4WD connectable by means multiple discs with electro-hydraulic engagement from the joystick.

FullGrip® System de AUSA:
4 RM sur demande au moyen de disques multiples avec connexion électro-hydraulique depuis le joystick.

AUSA FullGrip® System:
Elektrohydraulisch, zuschaltbarer Allradantrieb – am Joystick zu betätigen.



Compen® System exclusivo AUSA:
Tracción integral permanente que compensa automáticamente el par entre los ejes diferenciales.

Exclusive AUSA Compen® System:
Permanent 4WD that compensates automatically the torque between the both axes.

Compen® System de AUSA:
4 RM permanentes qui compense automatiquement le couple entre les deux essieux.

AUSA Compen® System:
Permanenter Allradantrieb mit automatischem Drehmoment-Ausgleich zwischen Vorder - Hinter Achse.



www.ausa.com

AUSA Center, S.L. ● Ctra. de Vic, Km 2.8 - P.O.B. 194. 08243 Manresa - BARCELONA (ESPAÑA) Tel.: +34 93 874 73 11 - E-mail: ausa@ausa.com



ISO 9001 ISO 14001



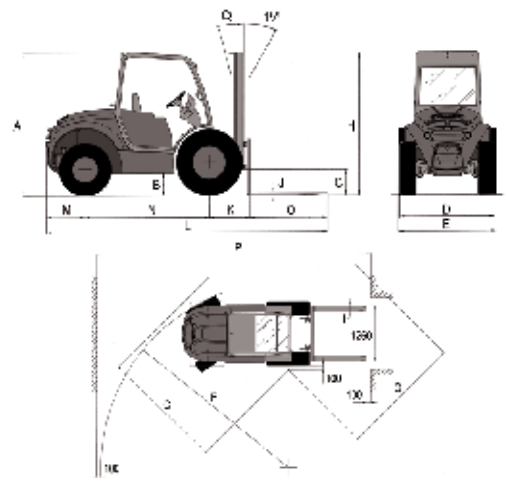
AUSA Madrid ● Pol. Ind. Coslada - C. Marconi 15-17. 28823 Coslada - MADRID (ESPAÑA) Tel.: +34 91 669 00 06 - E-mail: ausa.madrid@ausa.com
AUSA France ● Z. I. Saint Charles - Rue de Zürich, 66000 PERPIGNAN (FRANCE) Tel.: +33 (0) 4 68 54 38 97 - E-mail: ausa.france@ausa.com
AUSA Deutschland ● Heinrich - Welken Str. 5. 59069 HAMM (GERMANY) Tel.: +49 (0) 2385-9359362 - E-mail: ausa.deutschland@ausa.com
BEIJING Rep. Office ● Address Room 527. HengXiang Building, Tuanjiehu Nanli, Chaoyang District. - BEIJING 100026 (CHINA)
 Tel.: 86-10-8597 1983 - Fax: 86-10-8597 1993 - E-mail: ausa.china@ausa.com
AUSA UK ● Tel.: 07970639988 - E-mail: ausa.uk@ausa.com
AUSA Brasil ● Tel.: +55 51 33622111 - E-mail: ausa.brasil@ausa.com
AUSA México ● Calzada Vallejo, 725. 07750 Del. Gustavo A. Madero, México D.F. (MÉXICO) Tel.: +55 2166-9066 - E-mail: ausa.mexico@ausa.com

(Sede central AUSA-Manresa)

C 150 H/Hi_1500Kg
C 200 H/Hi_2000Kg
C 250 H/Hi_2500Kg

AUSA
www.ausa.com

DIMENSIONS (mm)	C 150 H C 150 HI	C 150 Hx4	C 200 H C 200 HI	C 200 Hx4 C 200 Hx4	C 250 H C 250 HI	C 250 Hx4 C 250 Hx4
A	1990	2020	2050	2080	2150	2120
B	220	250	245	275	280	220
C	215	215	310	310	390	390
D	-	-	1375	1392	1375	1392
(narrow axle) E	1305	1305	1460	1460	1510	1510
(wide axle) E	-	-	1782	1782	1810	1810
F	2550	4000	2800	4040	2800	4040
G	2350	2550	2600	2900	2600	2900
I	100	100	100	100	130	130
J	35	35	40	40	45	45
K	500	500	610	610	615	615
L	3645	3645	4240	4240	4245	4245
M	390	390	580	580	580	580
N	1740	1740	1850	1850	1850	1850
O	1000	1000	1200	1200	1200	1200
P	4250	5700	4700	6300	4700	6300
Q	10°	10°	13°	13°	13°	13°



Type of mast	Maximum lifting height (mm)	Free lift (mm)	Machine height with mast retracted			Machine height with mast extended (mm)			Load (Kg) at max. height							
			C 150 H Hx4/Hi	C 200 H/Hx4 Hi/Hx4	C 250 H/Hx4 Hi/Hx4	C 150 H Hx4/Hi	C 200 H/Hx4 Hi/Hx4	C 250 H/Hx4 Hi/Hx4	(A)	(B)	(A)	(B)	(A)	(B)		
Duplex (Std.)	3300	120	-	2395	2460	-	4150	4215	-	-	2000	2000	2000	2500	2500	2500
Duplex	2600	120	-	2045	2110	-	3450	3515	-	-	2000	2000	2000	2500	2500	2500
Duplex	3600	120	-	2545	2610	-	4450	4515	-	-	2000	2000	2000	2500	2400	2300
Duplex	4500	120	-	2995	3060	-	3530	5415	-	-	-	1800	1800	2500	2100	-
Triplex (free lift)	3700	1130	-	2045	2120	-	4590	4665	-	-	1800	2000	2000	2500	2300	2200
Triplex (free lift)	4300	1330	-	2245	2320	-	5230	5300	-	-	-	1800	1800	2500	2100	-
Triplex (free lift)	5400	1680	-	2610	2685	-	6295	6370	-	-	-	1700	1100	2200	1100	-
Duplex (Std.)	2660	0	1975	-	-	3285	-	-	1500	1500	-	-	-	-	-	-
Duplex	3300	0	2325	-	-	3925	-	-	1350	1500	-	-	-	-	-	-
Duplex (free lift)	2600	1360	1975	-	-	3270	-	-	1500	1500	-	-	-	-	-	-
Triplex (free lift)	4000	1360	1975	-	-	4670	-	-	1200	1300	-	-	-	-	-	-

TECHNICAL SPECIFICATIONS		C 150 H / C 150 HI / C 150 Hx4	C 200 H / C 200 HI / C 200 Hx4 / C 200 Hx4	C 250 H / C 250 HI / C 250 Hx4 / C 250 Hx4
Load capacity (kg) @ centre of gravity		1500 @ 500 mm / 1350 @ 600 mm	2000 @ 500 mm / 1850 @ 600 mm	2500 @ 500 mm / 2300 @ 600 mm
Lifting height (Standard duplex mast) (mm)		2660	3300	3300
Engine	Diesel	KUBOTA V 1505		ISUZU 4LE2
	Power acc. (KW/HP)	22.7 / 31 (SAE J 1995)		38 / 51.7 (SAE J 1995)
	N° of cylinders	4		4
	Cooling system	Water		
Traction		4x2 / 4x2 / 4x4 Compen®	4x2 / 4x2 / 4x4 Compen® / 4x4 FullGrip®	4x2 / 4x2 / 4x4 Compen® / 4x4 FullGrip®
Transmission		Hydrostatic with variable flow pump. Two speed hydrostatic ic motor. Electrical reverser in joystick. Inching pedal.	Hydrostatic with variable flow pump. Two speed engine. Electrical reverser in joystick. Inching pedal.	Hydrostatic with variable flow pump. Electrical reverser in joystick. Inching pedal.
Unladen weight (Kg) (with full tanks)		2600	3800 (4x2) / 3900 (4x4)	4200 (4x2) / 4300 (4x4)
Gradeability		25%	38% (4x2) / 37% (4x4)	38% (4x2) / 37% (4x4)
Speed (Maximum) (Km/h)			20	20
Engine starting system			Electric	Electric
Tyres	Front	10.0 / 75 - 15.3	11.5 / 80 - 15.3	12.5 / 80 - 18
	Rear	6.00-9 (C150H / HI) / 23 x 8.50 - 12 (C150 Hx4)	7.00-12 (C200H / HI / Hx4) / 27x10-12 (C200 Hx4)	7.00-12 (C250H / HI / Hx4) / 10.0 / 75 - 15.3 (C250 Hx4)
Steering		Hydraulic. Working pressure 130 bar.	Hydraulic. Working 135 bar.	Hydraulic. Working 135 bar.
External turning radius (mm)		2550 (4x2) / 4000 (4x4)	2800 (4x2) / 4400 (4x4 COMPEN®) / 4040 (4x4 FULL GRIP®)	2800 (4x2) / 4400 (4x4 COMPEN®) / 4040 (4x4 FULL GRIP®)
Tank capacity (l)	Fuel	45	50	50
	Hydraulic fluid	40	40	40
Service brake			Oil-immersed, multidisc	Oil-immersed multidisc
Parking brake			Oil-immersed multidisc	Oil-immersed multidisc
Hydraulic circuit		2 gear pump of 10.6 and 6 cc. Working Pressure 200 bar.	18-8 cc. double gear pump. Working Pressure 180 bar.	18-8 cc. double gear pump. Working Pressure 210 bar.
Operating pressures for accessories		200	180	210
Forkcarriage		FEM 2 - Wide 1260 mm	FEM 2 - Wide: 1260 mm (optional 1600 mm)	FEM 2 - Wide: 1260 mm (optional 1600 mm)
Stability test standard	A	For rough terrain use EN1726 - 1 - APH (Models H)		
	B	For semi-industrial use EN 1726 - 1 ISO 1074 (Models HI)		
STANDARD EQUIPMENT		Open tilting Cabin Ergonomic seat Seat Belt Joystick with integrated functions "total control of movements" Audible reverse warning Rotating beacon 3rd. auxiliary hydraulic service Side-shift: 1260 mm (width) Active security equipment	Open tilting cabin Ergonomic seat with safety belt Joystick with integrated functions "total control of movements" Rotating beacon 3rd. auxiliary hydraulic service Side-shift: 1260 mm (width) Active security equipment Audible reverse warning Chasis mounted integral belly plate	Open tilting cabin Ergonomic seat with safety belt Joystick with integrated functions "total control of movements" Rotating beacon 3rd. auxiliary hydraulic service Side-shift: 1260 mm (width) Active security equipment Audible reverse warning Chasis mounted integral belly plate
OPTIONAL EQUIPMENT		Semi-closed cabin Full cabin with heater Radio/Stereo CD Air conditioning Great confort seat Anti theft protection system Homologated lighting system Working lighthts Catalytic converter Spark arrestor Fuel oil filter with water separator 4th auxiliary hydraulic service 5 th auxiliary hydraulic service 300 litre and 400 litre hydraulic buckets Load backrest of 1260 mm Tyres: Solid, flotation, industrial Other multiple attachments fitted with manufacturer warranty	Semi-closed cabin Full cabin with heater Air conditioning Radio/Stereo CD Anti theft protection system Homologated lighting system Working lighthts Catalytic converter Spark Arrestor Fuel oil filter with water separator 4 th auxiliary hydraulic service 5 th auxiliary hydraulic service Wide front axle Load backrest of 1260 mm and 1600 mm Side-shift: 1600 mm (width) 400 litre and 600 litre hydraulic buckets Tyres: solid, flotation, industrial Other multiple attachments fitted with manufacturer warranty	Semi-closed cabin Full cabin with heater Air conditioning Radio/Stereo CD Anti theft protection system Homologated lighting system Working lighthts Catalytic converter Spark Arrestor Fuel oil filter with water separator 4 th auxiliary hydraulic service 5 th auxiliary hydraulic service Wide front axle Load backrest of 1260 mm and 1600 mm Side-shift: 1600 mm (width) 400 litre and 600 litre hydraulic buckets Tyres: solid, flotation, industrial Other multiple attachments fitted with manufacturer warranty