

**INSTRUCTION MANUAL**  
**Mechanical Lift Table**  
**TH30**



## 1. Brief Instruction

### I . Use & applicable range

It is a convertible vehicle using for lifting and transporting in workshop, warehouse and wharf, etc. Its rated capacity is 300kgs.

## 2. Characteristics:

I . Use wave the handle to lift the table, and the table's height is fixed, which can avoid the auto-lowering down like the hydraulic device.

II .Push to make the four wheels running and move the cart by hand.

## 3. Basic Data:

Load Capacity:	300kgs
Maximum Height of Table:	1000mm
Minimum Height of Table:	410mm
Dimension of Table:	950×600mm
Net Weight:	65kgs

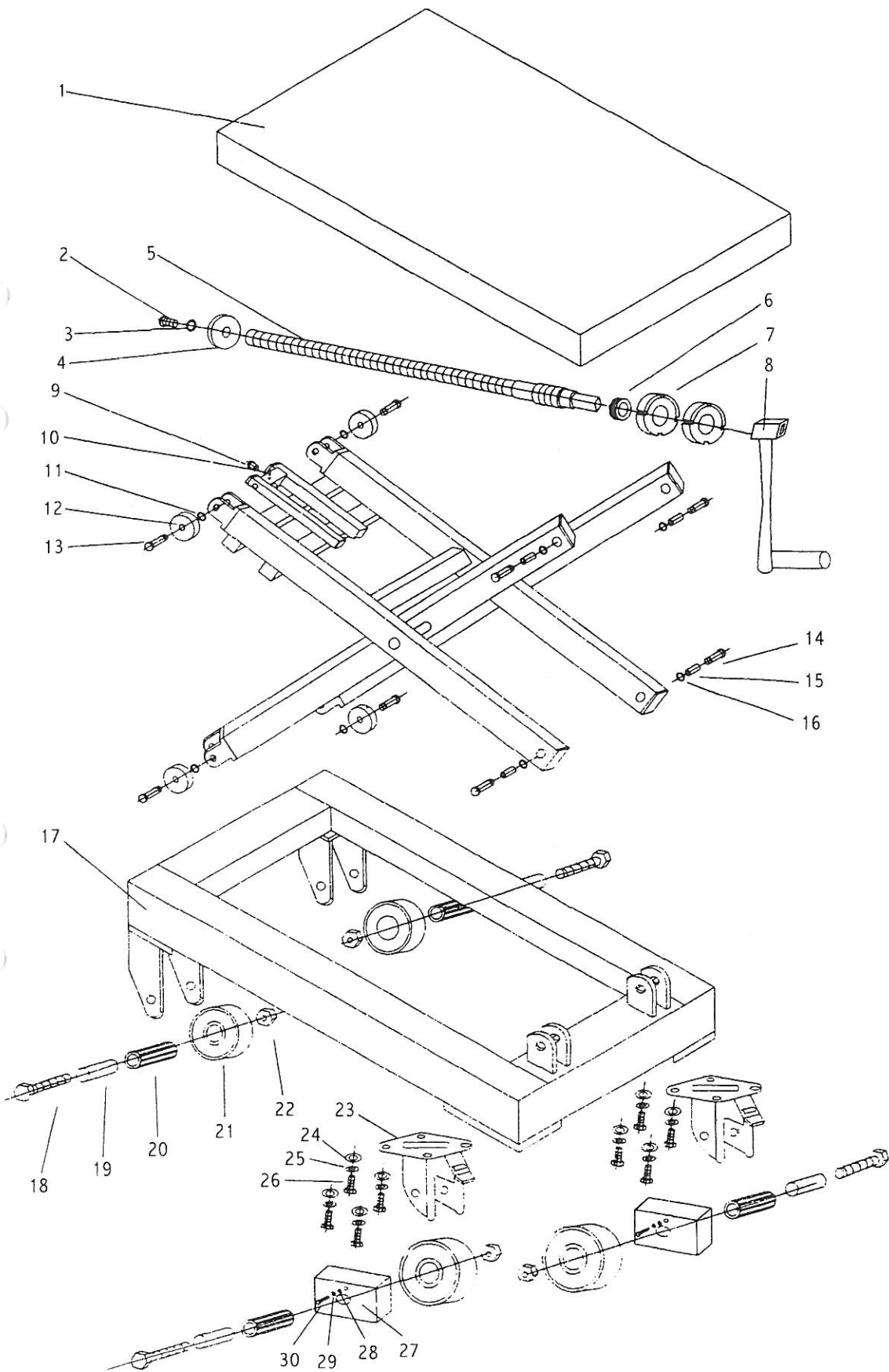
## 4. Operation

Firstly, fix the table by the brake in the swivel wheel holder. Wave the handle to lift up and lower down the table.

## 5. Warning!

- I . Operate strictly according to the instruction manual.
- II . Do not use the cart on slop.
- III. Do not overload the goods.
- IV. Keep feet and hand away from under the lowering table.
- V . Locked the swivel wheel holder before you lift and lower down the table.

# MECHANICAL LIFT TABLE



## TH 30 MECHANICAL LIFT TABLE

No.	Description	Q'ty	No.	Description	Q'ty
1	Table	1	25	Spring Washer	8
2	semicircle Bolt	1	26	Hex Cap Bolt	8
3	Spring Washer	1	27	Dust Cover	2
4	Flat Washer	1	28	Flat Washer	2
5	Screw Rod	1	29	Spring Washer	2
6	Bearing	1	30	Hex Cap Bolt	2
7	Set Screw	2			
8	Handle	1			
9	Copper Cover	1			
10	Set Screw	1			
11	C-ring	2			
12	Roller Guide	2			
13	Shaft	2			
14	Shaft	2			
15	Bushing	2			
16	C-ring	2			
17	Frame	1			
18	Hex Cap Bolt	4			
19	Bushing	4			
20	Bearing	4			
21	Wheel	4			
22	Nut	4			
23	Swivel Wheel Holder	2			
24	Flat Washer	8			