

DIECI



AGRI FARMER

30.7 | 34.7 | 30.9 | 32.9



dieci.com

PERFORMANCE

Vehicle model	AGRI FARMER 30.7 - GD	AGRI FARMER 34.7 - GD	AGRI FARMER 30.9 - GD	AGRI FARMER 32.9 - GD
Maximum capacity	3000 kg (6614 lb)	3400 kg (7496 lb)	3000 kg (6614 lb)	3200 kg (7055 lb)
Maximum lifting height	6.35 m (20.8 ft)	6.35 m (20.8 ft)	8.65 m (28.4 ft)	8.65 m (28.4 ft)
Maximum horizontal extension	3.6 m (11.8 ft)	3.6 m (11.8 ft)	5.6 m (18.4 ft)	5.6 m (18.4 ft)
Fork swiveling angle	146°	146°	146°	146°
Pull-out force	5800 daN (13039 lbf)	5800 daN (13039 lbf)	5800 daN (13039 lbf)	5800 daN (13039 lbf)
Towing force	5800 daN (13039 lbf)	5800 daN (13039 lbf)	5800 daN (13039 lbf)	5800 daN (13039 lbf)
Unladen mass	6700 kg (14771 lb)	7150 kg (15763 lb)	6880 kg (15168 lb)	7330 kg (16160 lb)
Maximum climb angle	40%	40%	40%	40%
Max speed (referred to wheels with maximum permitted diameter)	40 km/h (24.9 mph)	40 km/h (24.9 mph)	40 km/h (24.9 mph)	40 km/h (24.9 mph)

BOOM

Vehicle model	AGRI FARMER 30.7 - GD	AGRI FARMER 34.7 - GD	AGRI FARMER 30.9 - GD	AGRI FARMER 32.9 - GD
Lifting	8.4 s	8.4 s	9.1 s	9.1 s
Descent	4.4 s	4.4 s	4.7 s	4.7 s
Extension	6.4 s	6.4 s	5.9 s	5.9 s
Retraction	3.6 s	3.6 s	3.3 s	3.3 s
Forward swiveling	3.6 s	3.6 s	3.6 s	3.6 s
Reverse swiveling	2.1 s	2.1 s	2 s	2 s

ENGINE

Vehicle model	AGRI FARMER 30.7 - GD	AGRI FARMER 34.7 - GD	AGRI FARMER 30.9 - GD	AGRI FARMER 32.9 - GD
Brand	Kubota	Kubota	Kubota	Kubota
Nominal power	79.5 kW (107 HP)	79.5 kW (107 HP)	79.5 kW (107 HP)	79.5 kW (107 HP)
@rpm	2200 rpm	2200 rpm	2200 rpm	2200 rpm
Peak power	79.5 kW (107 HP)	79.5 kW (107 HP)	79.5 kW (107 HP)	79.5 kW (107 HP)
@rpm	2200 rpm	2200 rpm	2200 rpm	2200 rpm
Operation	4-stroke	4-stroke	4-stroke	4-stroke
Injection	Electronic, Common Rail	Electronic, Common Rail	Electronic, Common Rail	Electronic, Common Rail
Number and arrangement of cylinders	4, Vertical in line	4, Vertical in line	4, Vertical in line	4, Vertical in line
Displacement	3769 cm ³ (230 in ³)	3769 cm ³ (230 in ³)	3769 cm ³ (230 in ³)	3769 cm ³ (230 in ³)
Consumption	220 g/kWh (361.90 lb/Hp h)	220 g/kWh (361.90 lb/Hp h)	220 g/kWh (361.90 lb/Hp h)	220 g/kWh (361.90 lb/Hp h)
@rpm	2200 rpm	2200 rpm	2200 rpm	2200 rpm
Emission standard	Stage V/Tier 4f	Stage V/Tier 4f	Stage V/Tier 4f	Stage V/Tier 4f
Exhaust gas treatment	DOC+DPF+SCR	DOC+DPF+SCR	DOC+DPF+SCR	DOC+DPF+SCR
Cooling system	Liquid	Liquid	Liquid	Liquid
Intake	Turbocharger after-cooler	Turbocharger after-cooler	Turbocharger after-cooler	Turbocharger after-cooler

DIFFERENTIAL AXLES

Vehicle model	AGRI FARMER 30.7 - GD	AGRI FARMER 34.7 - GD	AGRI FARMER 30.9 - GD	AGRI FARMER 32.9 - GD
Type of axles	2 steering, with 4 epicycloidal reduction gears	2 steering, with 4 epicycloidal reduction gears	2 steering, with 4 epicycloidal reduction gears	2 steering, with 4 epicycloidal reduction gears
Type of steering	4 wheels / transversal / 2 wheels	4 wheels / transversal / 2 wheels	4 wheels / transversal / 2 wheels	4 wheels / transversal / 2 wheels
FRONT AXLE	Rigid	Rigid	Rigid	Rigid
Rear axle	Swinging	Swinging	Swinging	Swinging
Service braking	Oil bath with servo brake on front and rear axle with double hydraulic system	Oil bath with servo brake on front and rear axle with double hydraulic system	Oil bath with servo brake on front and rear axle with double hydraulic system	Oil bath with servo brake on front and rear axle with double hydraulic system
Parking braking	Negative actuation with electrical control	Negative actuation with electrical control	Negative actuation with electrical control	Negative actuation with electrical control

HYDRAULIC SYSTEM

Vehicle model	AGRI FARMER 30.7 - GD	AGRI FARMER 34.7 - GD	AGRI FARMER 30.9 - GD	AGRI FARMER 32.9 - GD
Hydraulic pump type	Gear pump for power steering and movements	Gear pump for power steering and movements	Gear pump for power steering and movements	Gear pump for power steering and movements
Hydraulic pump capacity	100 l/min (26.4 gal/min)	100 l/min (26.4 gal/min)	100 l/min (26.4 gal/min)	100 l/min (26.4 gal/min)
Max. operating pressure	24.5 MPa (3553 psi)	25.7 MPa (3727 psi)	24.5 MPa (3553 psi)	25.7 MPa (3727 psi)
Distributor control	Proportional 4 in 1 Joystick with FNR	Proportional 4 in 1 Joystick with FNR	Proportional 4 in 1 Joystick with FNR	Proportional 4 in 1 Joystick with FNR

REFUELING

Vehicle model	AGRI FARMER 30.7 - GD	AGRI FARMER 34.7 - GD	AGRI FARMER 30.9 - GD	AGRI FARMER 32.9 - GD
Hydraulic system (total)	140 l (36,98 gal)	140 l (36,98 gal)	140 l (36,98 gal)	140 l (36,98 gal)
FUEL TANK	100 l (26,42 gal)	100 l (26,42 gal)	100 l (26,42 gal)	100 l (26,42 gal)
AdBlue tank	20 l (5,28 gal)	20 l (5,28 gal)	20 l (5,28 gal)	20 l (5,28 gal)

TRANSMISSION

Vehicle model	AGRI FARMER 30.7 - GD	AGRI FARMER 34.7 - GD	AGRI FARMER 30.9 - GD	AGRI FARMER 32.9 - GD
Transmission type	Hydrostatic with electronic control with variable displacement pump and ECO function	Hydrostatic with electronic control with variable displacement pump and ECO function	Hydrostatic with electronic control with variable displacement pump and ECO function	Hydrostatic with electronic control with variable displacement pump and ECO function
Reversal	With electronic control operated with vehicle in motion	With electronic control operated with vehicle in motion	With electronic control operated with vehicle in motion	With electronic control operated with vehicle in motion
Inching	With electronic pedal for controlled forward movement	With electronic pedal for controlled forward movement	With electronic pedal for controlled forward movement	With electronic pedal for controlled forward movement

TOWING CAPACITY

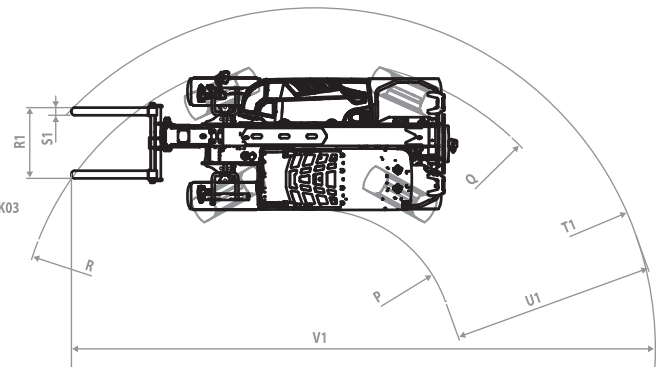
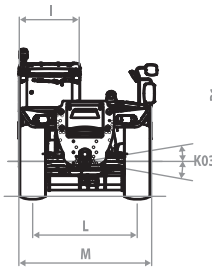
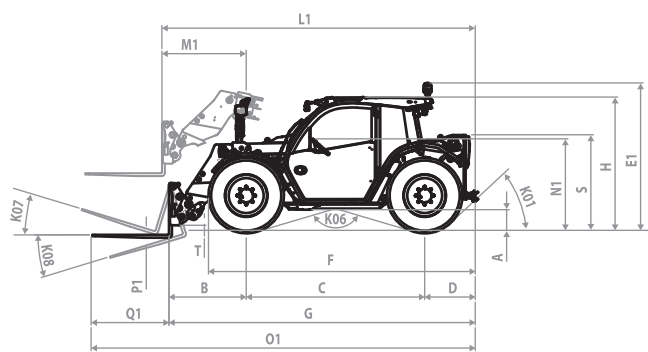
Vehicle model	AGRI FARMER 30.7 - GD	AGRI FARMER 34.7 - GD	AGRI FARMER 30.9 - GD	AGRI FARMER 32.9 - GD
Unbraked trailer	3500 kg (7716 lb)	3500 kg (7716 lb)	3500 kg (7716 lb)	3500 kg (7716 lb)
Inertia braking	8000 kg (17637 lb)	8000 kg (17637 lb)	8000 kg (17637 lb)	8000 kg (17637 lb)
Hydraulic/pneumatic braking	17000 kg (37479 lb)	17000 kg (37479 lb)	17000 kg (37479 lb)	17000 kg (37479 lb)

TIRES

Vehicle model	AGRI FARMER 30.7 - GD	AGRI FARMER 34.7 - GD	AGRI FARMER 30.9 - GD	AGRI FARMER 32.9 - GD
Standard tires	405/70-20"	405/70-20"	405/70-20"	405/70-20"

DIMENSIONS

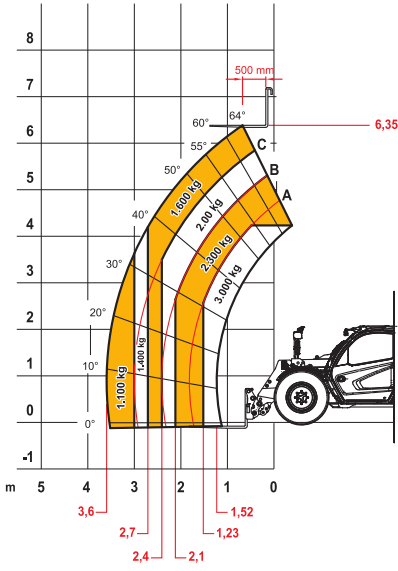
Vehicle model	AGRI FARMER 30.7 - GD	AGRI FARMER 34.7 - GD	AGRI FARMER 30.9 - GD	AGRI FARMER 32.9 - GD
A	270 mm (10.6 in)	270 mm (10.6 in)	270 mm (10.6 in)	270 mm (10.6 in)
B	1200 mm (47.2 in)	1200 mm (47.2 in)	1240 mm (48.8 in)	1240 mm (48.8 in)
C	2830 mm (111.4 in)	2830 mm (111.4 in)	2830 mm (111.4 in)	2830 mm (111.4 in)
D	785 mm (30.9 in)	785 mm (30.9 in)	785 mm (30.9 in)	785 mm (30.9 in)
E1	2350 mm (92.5 in)	2520 mm (99.2 in)	2350 mm (92.5 in)	2520 mm (99.2 in)
F	4207 mm (165.6 in)	4207 mm (165.6 in)	4207 mm (165.6 in)	4207 mm (165.6 in)
G	4815 mm (189.6 in)	4815 mm (189.6 in)	4855 mm (191.1 in)	4855 mm (191.1 in)
H	2025 mm (79.7 in)	2210 mm (87.0 in)	2025 mm (79.7 in)	2210 mm (87.0 in)
L	1710 mm (67.3 in)	1710 mm (67.3 in)	1710 mm (67.3 in)	1710 mm (67.3 in)
I	966 mm (38.0 in)	966 mm (38.0 in)	966 mm (38.0 in)	966 mm (38.0 in)
L1	4940 mm (194.5 in)	4940 mm (194.5 in)	4960 mm (195.3 in)	4960 mm (195.3 in)
K01	42°	42°	42°	42°
K03	15°	16°	15°	16°
K06	149°	149°	149°	149°
K07	18°	18°	18°	18°
K08	129°	124°	129°	124°
M	2130 mm (83.9 in)	2120 mm (83.5 in)	2130 mm (83.9 in)	2120 mm (83.5 in)
M1	1324 mm (52.1 in)	1324 mm (52.1 in)	1344 mm (52.9 in)	1344 mm (52.9 in)
N1	1370 mm (53.9 in)	1555 mm (61.2 in)	1370 mm (53.9 in)	1555 mm (61.2 in)
O1	6015 mm (236.8 in)	6015 mm (236.8 in)	6055 mm (238.4 in)	6055 mm (238.4 in)
P	1967 mm (77.4 in)	1345 mm (53.0 in)	1967 mm (77.4 in)	1345 mm (53.0 in)
P1	45 mm (1.8 in)	45 mm (1.8 in)	45 mm (1.8 in)	45 mm (1.8 in)
Q	4482 mm (176.5 in)	3800 mm (149.6 in)	4482 mm (176.5 in)	3800 mm (149.6 in)
Q1	1200 mm (47.2 in)	1200 mm (47.2 in)	1200 mm (47.2 in)	1200 mm (47.2 in)
R	4461 mm (175.6 in)	3940 mm (155.1 in)	4461 mm (175.6 in)	3940 mm (155.1 in)
R1	1100 mm (43.3 in)	1100 mm (43.3 in)	1100 mm (43.3 in)	1100 mm (43.3 in)
S	1430 mm (56.3 in)	1445 mm (56.9 in)	1430 mm (56.3 in)	1445 mm (56.9 in)
S1	120 mm (4.7 in)	120 mm (4.7 in)	120 mm (4.7 in)	120 mm (4.7 in)
T	30 mm (1.2 in)	30 mm (1.2 in)	115 mm (4.5 in)	115 mm (4.5 in)
T1	5200 mm (204.7 in)	4800 mm (189.0 in)	5228 mm (205.8 in)	4825 mm (190.0 in)
U1	3233 mm (127.3 in)	3455 mm (136.0 in)	3267 mm (128.6 in)	3480 mm (137.0 in)
V1	9018 mm (355.0 in)	8615 mm (339.2 in)	9085 mm (357.7 in)	8680 mm (341.7 in)



MAX
3000 kg

500 mm

DOC10001774



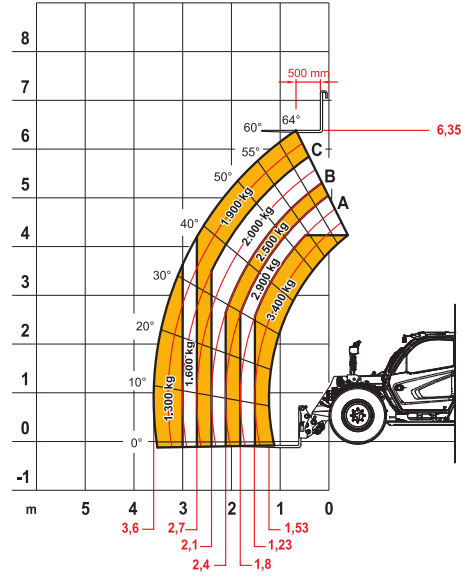
EN1459

30.7

MAX
3400 kg

500 mm

DOC10001593



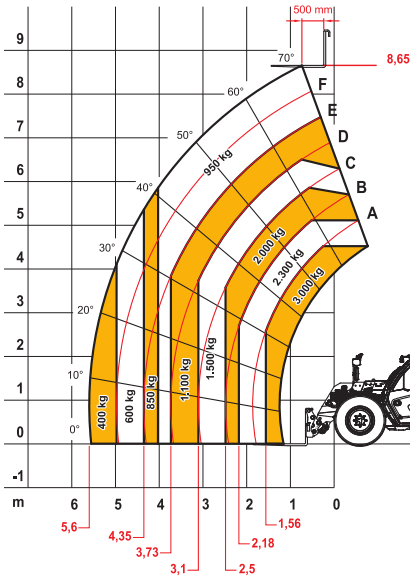
EN1459

34.7

MAX
3000 kg

500 mm

DOC10001775



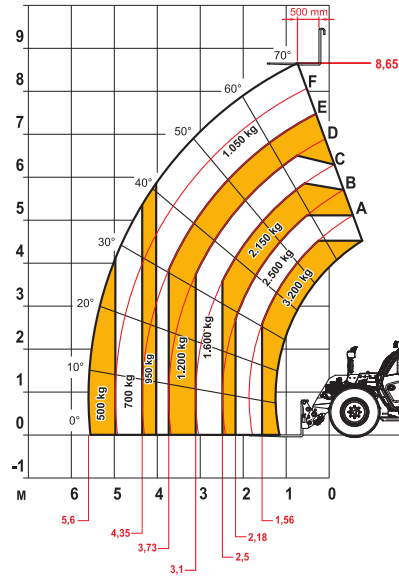
EN1459

30.9

MAX
3200 kg

500 mm

DOC10001776



EN1459

32.9