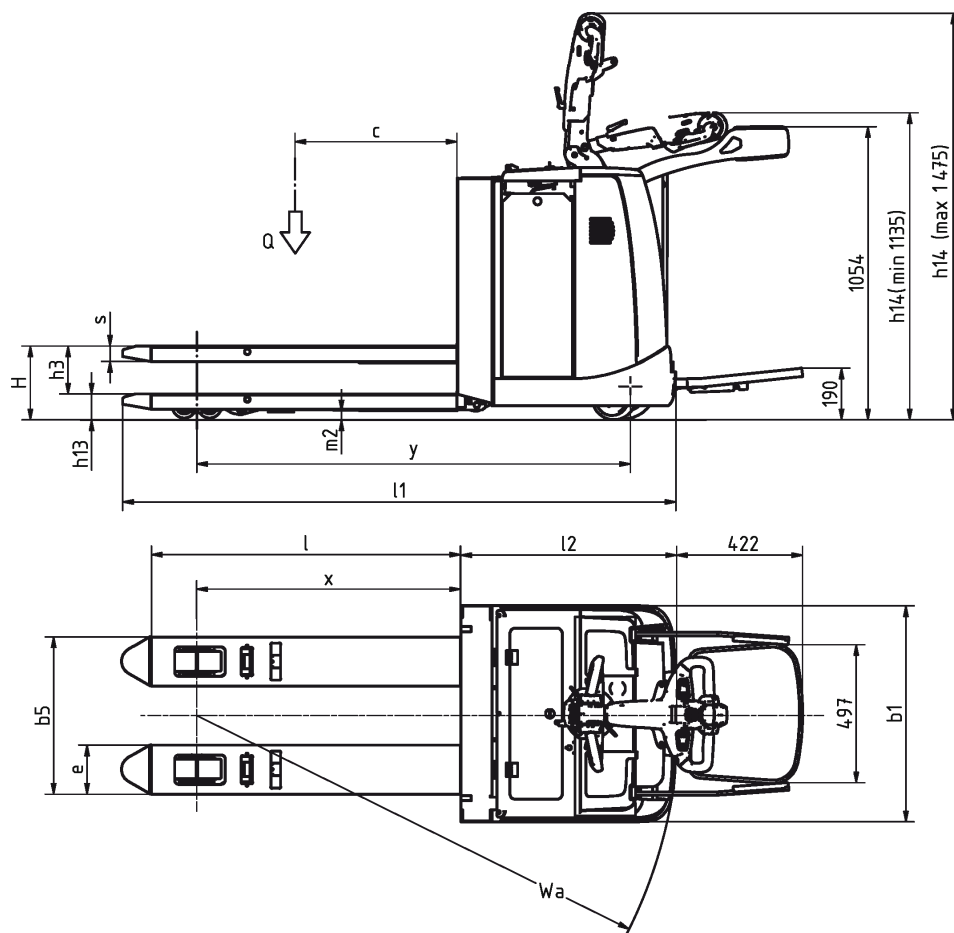


# LOW LIFTER

## PMR 200



A high performance low lifter for cross docking or transport applications. Standard equipped with a durable casted fold-down driver platform, and ergonomic foldable side guards. Optional fixed driver protected platform and power steering makes this low lifter the perfect partner in extended work cycles and multi shift operations.



Mast type	Lift height H / h12	Height of mast lowered h1	Max mast height h4
Triplex			
Standard/Duplex			

	0	Specification	PMR 200		
Distinguishing mark	1.2	Manufacturer's type designation			
	1.3	Drive: electric (battery or mains), diesel, petrol, fuel gas	Electric		
	1.4	Operator type: hand, pedestrian, standing, seated, order-picker	Pedestrian		
	1.5	Load capacity/rated load	Q t	2.0	
	1.6	Load centre distance	c	mm	600
	1.8	Load distance, centre of load axle to fork	X		975/900 (forks lowered/raised)
	1.9	Wheelbase	y	mm	585 + x
	Weight	2.1	Service weight incl battery	kg	925
		2.2	Axle load, with load, front/rear	kg	1160/1765
2.3		Axle load, without load, front / rear	kg	735/190	
2.4		Axle load, fork outreached with load, front / rear	kg	N/A	
2.5		Axle load, fork retracted with load, front / rear	kg	N/A	
Tyres, chassis	3.1	Tyres		Vulcollan	
	3.2	Tyre size, drive side	mm	230*90	
	3.3	Tyre size, load side	mm	85*70	
	3.4	Dimensions additional wheels (castor wheels)	mm	150*60	
	3.5	Wheels, number front/rear (drive side/load side, x = driven wheels)		1x + 2/4	
	3.6	Track, drive side	b10	mm	516
	3.7	Track, load side	b11	mm	380
Dimensions	4.1	Tilt of mast/fork carriage, forward/backward	Grad		
	4.2	Height, mast lowered	h1	mm	
	4.3	Free lift	h2	mm	
	4.4	Lift height H = h13+h3	H	mm	205
	4.5	Height, mast extended	h4	mm	
	4.6	Straddle lift	h5	mm	
	4.7	Height of overhead guard (cabin)	h6	mm	2290
	4.8	Seat height/stand height	h7	mm	165
	4.10	Height of wheel arms	h8	mm	N/A
	4.11	Additional lift	h9	mm	
	4.14	Stand height, elevated	h12	mm	
	4.15	Height lowered	h13	mm	90
	4.19	Overall length	l1	mm	1980/2390 (platform up/down)
	4.20	Length to face of forks	l2	mm	830
	4.21	Overall width	b1	mm	770
	4.21.1	Width over stabilizers		mm	
	4.22	Fork dimensions	s/e/l	mm	55/175/1150
	4.23	Fork carriage to ISO 2328, clas / form A, B			
	4.24	Width of fork carriage	b3	mm	670
	4.25	Width over forks, min/max	b5	mm	480/680
	4.26	Distance between wheel arms	b4	mm	
	4.27	Width across guide rolls	b6	mm	
	4.28	Reach distance	l4	mm	
	4.29	Reach lateral	b7	mm	
	4.30	Reach lateral from vehicle centerline	b8	mm	
4.31	Ground clearance, mast	m1	mm		
4.32	Ground clearance, centre of wheelbase	m2	mm	40-155	
4.33	Aisle width with pallet 1000 x 1200, crosswise	Ast	mm	2377/2787 (platform up/down)	
4.34	Aisle width for pallet 800 x 1200, lengthwise	Ast	mm	2389/2799 (platform up/down)	
4.35	Turning radius	Wa	mm	1730/2140 (platform up/down)	
4.37	Length incl reach legs	l7	mm		
4.38	Distance to swivelling-fork pivot	0	mm		
Performance data	5.1	Travel speed, with/without load	km/h	10.0/10.0(12.5)	
	5.1.1	Travel speed with/without load, backwards	km/h	10.0/10.0(12.5)	
	5.2	Lift speed, with/without load	m/s		
	5.3	Lowering speed, with/without load	m/s		
	5.4	Reach speed, with / without load	m/s		
	5.7	Gradient, with/without load	%	7.2/23	
	5.8	Max gradeability, with / without load, 5 min rating	%	9.3/29.4	
	5.9	Acceleration time 0-10 m, with/without load	s	6.7/4.7	
	5.10	Service brake: electric, hydraulic		El. - drive motor	
	5.10.1	Parking brake: electric, hydraulic		El. - drive motor	
Electric engine	6.1	Drive motor, rating S2 60 min	kW	2.2	
	6.2	Lift motor	kW	2.2	
	6.3	Battery according to DIN 43531/35/36	A,B,C		
	6.4	Battery voltage / Battery capacity	V/Ah	24 / 400	
	6.5	Battery weight	kg	335	
	6.6	Power consumption according to VDI cycle	kWh/h	0,509	
Additional data	8.1	Speed regulation		Combi AC	
	10.1	Operating pressure attachments	bar		
	10.2	Oil flow for attachments	l/min		
	10.7	Noise level at operator's ear, according to EN 12 053	db(A)	64.7	

\* Varies according to battery size

All rights reserved to change above specification