

Standard and optional equipment

Standard equipment

Turbocharged direct-injection 4,0l DEUTZ diesel engine with intercooler and 87 kW

Precise response twin drive pedals

Linde Load Control integrated in armrest

Hydraulic suspension comfort-class seat with extensive range of adjustment

Adjustable-angle steering wheel

Low effort, responsive and virtually play-free hydrostatic steering with on-demand power assist

High safety and stability thanks to Linde Torsion Support

Variable displacement pump for driving and lifting to reduce consumption

High performance hydraulic filter concept, preserves maximum oil purity and extends life of all hydraulic components

Glare-free display including fuel gauge, hour meter and service information

Control lights on display for engine oil pressure, engine overheating, parking brake, audible warning signal for engine and hydraulic oil temperature, blocked air intake filter and low fuel level

Plenty of storage space

Interior light

Superelastic tyres

Standard mast

Lift height h3 = 3,550 mm (H50, H60),

Lift height h3 = 3,150 mm (H70, H80),

Lift height h3 = 2,750 mm (H80/900, H80/1100)

Fork carriage

Width b3 = 1,800 mm (H50, H60, H70),

Width b3 = 2,180 mm (H80, H80/900),

Width b3 = 2,400 mm (H80/1100)

Forks

Length l = 1,200 mm (H50 – H80),

Length l = 1,800 mm (H80/900),

Length l = 2,200 mm (H80/1100)

Options

Single drive pedal with direction selector positioned on armrest

Standard masts

3,550 to 8,850 mm lift (H50, H60)

3,150 to 8,850 mm lift (H70, H80)

2,750 to 8,850 mm lift (H80/900, H80/1100)

Triplex masts (full free lift) available 09/2008

Several load backrests

Several fork carriages

Several fork lengths

One or two or three or four additional hydraulic circuits for all mast types

Overhead guard can be upgraded to full cabine with roof, front and rear screens and doors

Wiper-washers for front, rear and roof screens

Roof blind, clipboard, additional interior lighting, height-adjusting steering column

Seats providing additional comfort (lumbar support, seat heater, air suspension) and adjustments

Swivel seat 17°

Cab heater with integral pollen filter

Air conditioning

Radio with CD/MP3/SD-cards and speakers

Truck lighting, work lights

Audible reversing alarm, flashing beacon and rotating beacon

RTA (Road Traffic Association)

Several Mirrors

Several tyres

LFM (Linde Forkliftdata Management)

Integral diesel particle filter with charge status indicator on display

Custom paintwork

Foundry version

Other options available on request



Diesel Forklift Trucks
Capacity 5000 – 8000 kg
H 50, H 60, H 70, H 80,
H 80/900, H 80/1100

SERIES 396

Linde Material Handling

Safety

With loads weighing up to 8,000 kg, safety takes first priority.

The Linde Torsion Support proves very advantageous when swaying loads and dynamic forces have to be contended with. Up to 30% less mast distortion can be realised. An enormous advantage, even on higher lift heights.

Performance

A truck designed to take care of the really tough tasks.

Advanced engine and drive technology combined with the original Linde Load Control enables the operator to use the truck's vast potential to maximise productivity. Comfortable and precise fingertip control of all mast functions.

Comfort

Man and machine are perfectly interfaced on these high-capacity forklifts. Designed to the most advanced ergonomic standards. An increased driver's cab with automobile-class ambience, comfortable seats with adjustable armrest up to pneumatic suspension: basics to fast, stress-free working.

Features

Original Linde hydrostatic drive

- Responsive, smooth and precise driving
- No clutch, differential or drum brakes; hydrostatic drive assumes function of service brake
- Robust drive system, well proven in severest duty
- Low maintenance costs and long life

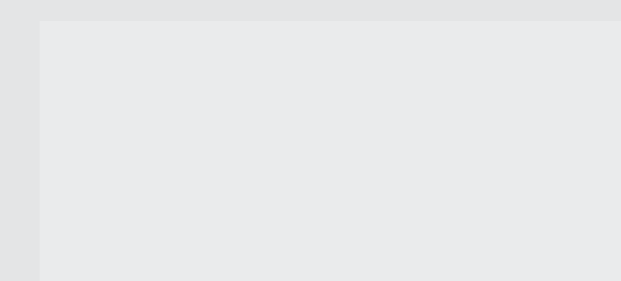
Linde twin drive pedals

- Quick change of forward/reverse direction without changing feet on pedals
- Short pedal stroke
- No leg fatigue
- Increased productivity



Linde operator compartment

- Designed to advanced ergonomic standards
- Spacious cab with automobile equivalent legroom
- Excellent visibility of load and surroundings due to slim-line mast sections and increased cabin width
- Cushioned drive unit and driver's cab reduces road shocks



Linde Material Handling GmbH, Postfach 10 01 36, 63701 Aschaffenburg, Germany
Phone +49.60 21.99-0, Fax +49.60 21.99-15 70, www.linde-mh.com, info@linde-mh.de



Linde clear-view mast

- Superb visibility
- Full load capacity up to maximum lift height
- Exceptional residual capacity

Linde Load Control

- Accurate, safe load handling
- Effortless fingertip control of all mast functions
- Traction and lift functions completely separate



High-economy engine technology

- Industrial DEUTZ Diesel engine incorporating most advanced technology
- High torque
- Low fuel consumption
- Low engine-out emissions

Linde Truck Control

- Reliable electronic controller
- High dependability resulting from redundant monitoring systems
- Automatic control of engine speed as function of load
- Casing totally enclosed for protection from dust and dirt



Linde Torsion Support

- Reduction of mast distortion up to ca. 30% thanks to Linde Torsion Support
- Minimized loading and wear of truck frame and mast
- Safety bonus: Lever action makes possible significantly increased residual capacity at high lifts



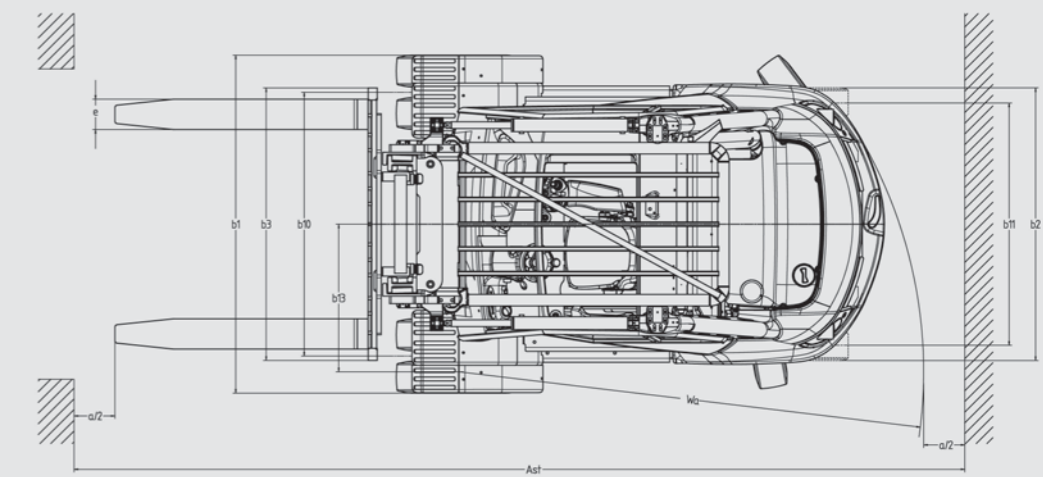
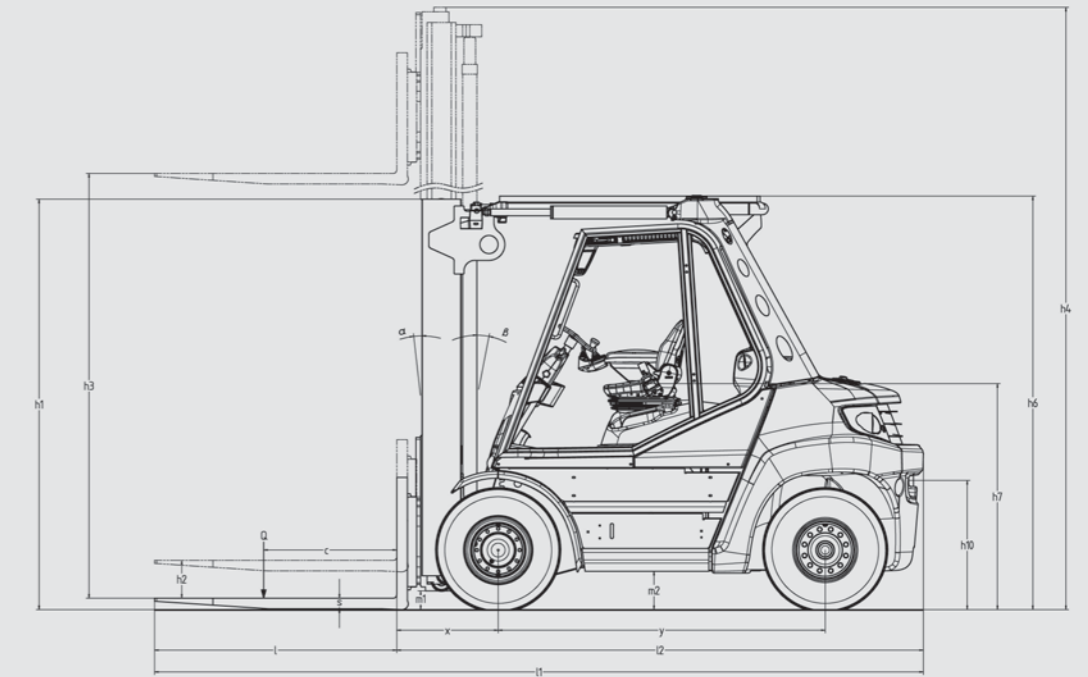
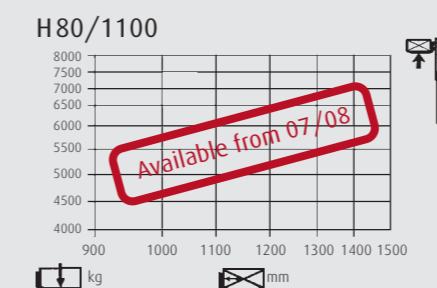
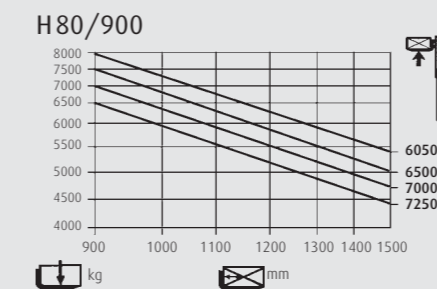
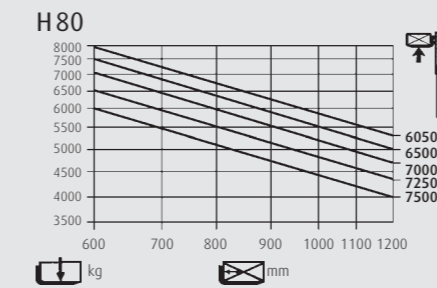
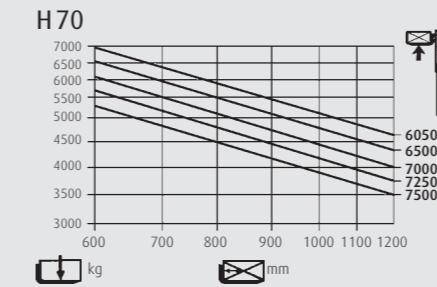
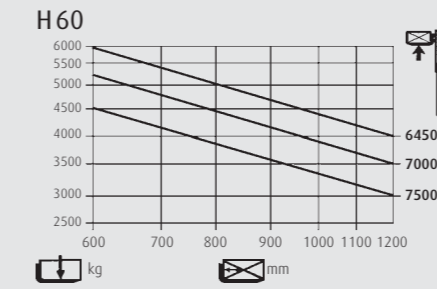
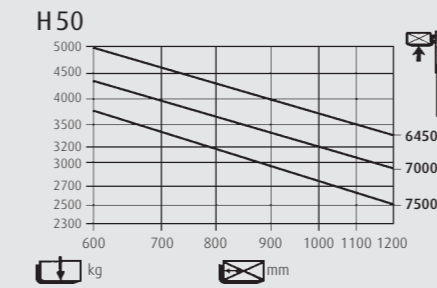
Technical data*

Characteristics	1.1 Manufacturer		LINDE	LINDE	LINDE	LINDE	LINDE	LINDE	
	1.2 Model designation		H50D	H60D	H70D	H80D	H80D/900	H80D/1100⁹⁾	
Weight	1.3 Power unit: battery, petrol, LP gas, mains power		Diesel	Diesel	Diesel	Diesel	Diesel	Diesel	
	1.4 Operation: pedestrian, stand-on, seated, order picker		Seated	Seated	Seated	Seated	Seated	Seated	
Wheels and tyres	1.5 Load capacity		Q (t)	5.0	6.0	7.0	8.0	8.0	
	1.6 Load centre		c (mm)	600	600	600	600	900	1100
Dimensions	1.8 Axle centre to fork face		x (mm)	630	630	640	640	670	
	1.9 Wheelbase		y (mm)	2160	2160	2160	2160	2510	2810
Performance	2.1 Service weight		kg	9902	10181	11431	12276	14046	14826
	2.2 Axle load with load, front/rear		kg	12594/2308	14215/1966	16127/2304	17714/2562	19752/2294	20514/2312
IC-engine	2.3 Axle load without load, front/rear		kg	4747/5156	4798/5383	5109/6322	5121/7155	6748/7298	7475/7352
	3.1 Tyres, front/rear (SE = CS superelastic, L = pneumatic)			SE	SE	SE-Zw	SE-Zw	SE-Zw	SE-Zw
Others	3.2 Tyre size, front			300-15-SC15 ²⁾	355/65-15-SC15 ²⁾	8.25-15-SC15 ²⁾	8.25-15-SC15 ²⁾	300-15-SC15 ²⁾	
	3.3 Tyre size, rear			8.25-15-SC15 ²⁾	8.25-15-SC15 ²⁾	8.25-15-SC15 ²⁾	300-15-SC15 ²⁾	300-15-SC15 ²⁾	
Performance	3.5 Wheels, rumber front/rear (x = driven)			2x/2	2x/2	4x/2	4x/2	4x/2	
	3.6 Track width, front		b10 (mm)	1594 ⁴⁾	1594 ⁴⁾	1742 ⁴⁾	1742 ⁴⁾	1742 ⁴⁾	1752 ⁴⁾
Performance	3.7 Track width, rear		b11 (mm)	1600	1600	1600	1550	1550	
	4.1 Mast/fork carriage tilt, forward/backward		α/β (°)	5.0/9.0	5.0/9.0	5.0/9.0	5.0/9.0	5.0/9.0	5.0/9.0
Performance	4.2 Height of mast, lowered		h1 (mm)	2735 ⁵⁾	2738 ⁵⁾	2738 ⁵⁾	2738 ⁵⁾	2738 ⁵⁾	
	4.3 Free lift		h2 (mm)	150	150	150	150	150	
Performance	4.4 Lift		h3 (mm)	3550 ⁵⁾	3550 ⁵⁾	3150 ⁵⁾	3150 ⁵⁾	2750 ⁵⁾	
	4.5 Height of mast, extended		h4 (mm)	4445 ⁵⁾	4445 ⁵⁾	4250 ⁵⁾	4250 ⁵⁾	4145 ⁵⁾	4150 ⁵⁾
Performance	4.7 Height of overhead guard (cabin)		h6 (mm)	2746	2746	2745	2747	2746	
	4.8 Height of seat/stand-on platform		h7 (mm)	1503	1503	1503	1504	1503	1505
Performance	4.12 Towing coupling height		h10 (mm)	847	846	841	845	845	844
	4.19 Overall length		l1 (mm)	4639	4639	4649	4649	5629	5929
Performance	4.20 Length to fork face		l2 (mm)	3439	3439	3449	3449	3829	4129
	4.21 Overall width		b1/b2 (mm)	1864	1891	2232/2252	2232	2232	2299
Performance	4.22 Fork dimensions		s/e/l (mm)	60 x 130 x 1200	60 x 130 x 1200	70 x 150 x 1200	70 x 150 x 1200	70 x 200 x 1800	70 x 200 x 2200
	4.23 Fork carriage to DIN 15173, class/ form A, B			4A	4A	4A	4A	4A	4A
Performance	4.24 Width of fork carriage		b3 (mm)	1800	1800	1800	2180	2180	2180
	4.31 Ground clearance, mast		m1 (mm)	201	204	207	204	201	208
Performance	4.32 Gound clearance, centre of wheelbase		m2 (mm)	247	249	249	249	248	250
	4.33 Aisle width with pallets 1200 x 1000 across forks		Ast (mm)	4890	4890	4900	4900	5215	5505
Performance	4.34 Aisle width with pallets 800 x 1200 along forks		Ast (mm)	5090	5090	5100	5100	5415	5705
	4.35 Turning radius		Wa (mm)	3060	3060	3060	3060	3345	3635
Performance	4.36 Min. turning radius, front axle		b13 (mm)	975	975	975	975	975	975
	5.1 Travel speed, with/without load		km/h	22/22	22/22	22/22	22/22	22/22	22/22
Performance	5.2 Lifting speed, with/without load		m/s	0.57/0.58	0.57/0.58	0.46/0.54	0.46/0.54	0.46/0.54	0.46/0.54
	5.3 Lowering speed, with/without load		m/s	0.53/0.56	0.53/0.56	0.53/0.56	0.53/0.56	0.53/0.56	0.53/0.56
Performance	5.5 Tractive force with/without load		N	34951/34951	37564/36485	44968/39311	44968/38808	50220/50220	54549/54544
	5.7 Climbing ability, with/without load		%	22/31	22/31	23/29	20/27	21/32	23/34
Performance	5.9 Acceleration time, with/without load		s	4.6/4.2	5.1/4.6	5.6/5.0	6.1/5.2	6.1/5.2	6.5/5.6
	5.10 Service brake			hydrostatic	hydrostatic	hydrostatic	hydrostatic	hydrostatic	hydrostatic
Performance	7.1 Manufacturer of engine /type			Deutz TCD 2012 L04-2V	Deutz TCD 2012 L04-2V	Deutz TCD 2012 L04-2V	Deutz TCD 2012 L04-2V	Deutz TCD 2012 L04-2V	Deutz TCD 2012 L04-2V
	7.2 Engine rated power to ISO 1585		kW	87	87	87	87	87	87
Performance	7.3 Rated rpm		min ⁻¹	2200	2200	2200	2200	2200	2200
	7.4 Number of cylinders/Displac. ccm		cm3	4/4000	4/4000	4/4000	4/4000	4/4000	4/4000
Performance	7.5 Fuel consumption to VDI		l/h, kg/h	-	-	-	-	-	-
	8.1 Type of drive control			hydrostat. transmission	hydrostat. transmission	hydrostat. transmission	hydrostat. transmission	hydrostat. transmission	hydrostat. transmission
Performance	8.2 Working pressure for attachments		bar	265	265	265	265	265	265
	8.3 Oil quantity for attachments		l/min	70	70	70	70	70	70
Performance	8.4 Mean noise level at driver' ear		dB(A)	76	76	76	76	76	76
	8.5 Towing coupling, design /type			similar to DIN 15170-H	similar to DIN 15170-H	similar to DIN 15170-H	similar to DIN 15170-H	similar to DIN 15170-H	similar to DIN 15170-H

* Provisional data
 1) For alternative mast refer to table page 3
 2) Further tyres on demand
 3) Figures in brackets refer to twin tyre configuration 8.25 - 15/18 PR

4) 1748 mm with twin tyres 8.25 - 15
 5) With 150mm free lift
 6) Available from 07/2008

Lifting capacity diagrams



Safety distance a = 200 mm

Overall and lift heights H50, H60 (in mm)					
Lift	h3	3550	4150	4550	6050
Overall heights, forks lowered (with 150 mm freelif-Standard)	h1 #	2730	3030	3230	3580
Overall heights at max. lift with 4 rollers fork carriage	h4	4440	5040	5440	6140
Overall heights at max. lift with 6/8 rollers fork carriage	h4	4640	5240	5640	7140

Overall and lift heights H70, H80 (in mm)					
Lift	h3	3150	3750	4150	5650
Overall heights, forks lowered (with 150 mm freelif-Standard)	h1 #	2730	3030	3230	3580
Overall heights at max. lift with 4 rollers fork carriage	h4	4240	4840	5240	6740
Overall heights at max. lift with 8 rollers fork carriage	h4	4540	5140	5540	7040

Overall and lift heights H80/900, H80/1100 (in mm)					
Lift	h3	2750	3350	3750	5250
Overall heights, forks lowered (with 150 mm freelif-Standard)	h1 #	2730	3030	3230	3580
Overall heights at max. lift with 8 rollers fork carriage	h4	4140	4740	5140	6640