

DIECI



AGRI MAX POWER X2

50.8 | 65.8 | 60.9



dieci.com

PERFORMANCE

Vehicle model	AGRI MAX 50.8 POWER X2	AGRI MAX 65.8 POWER X2	AGRI MAX 60.9 POWER X2
Maximum capacity	4999 kg (11021 lb)	6500 kg (14330 lb)	6000 kg (13228 lb)
Maximum lifting height	7.7 m (25.3 ft)	7.7 m (25.3 ft)	8.6 m (28.2 ft)
Maximum horizontal extension	4.1 m (13.5 ft)	4.1 m (13.5 ft)	4.1 m (13.5 ft)
Fork swivelling angle	144°	144°	144°
Pull-out force	8900 daN (20008 lbf)	8900 daN (20008 lbf)	8900 daN (20008 lbf)
Towing force	8585 daN (19300 lbf)	8585 daN (19300 lbf)	8585 daN (19300 lbf)
Unladen weight	10870 kg (23964 lb)	11850 kg (26125 lb)	11850 kg (26125 lb)
Maximum climb angle	40%	40%	40%
Max speed (referred to wheels with maximum permitted diameter)	50 km/h (31.1 mph)	50 km/h (31.1 mph)	50 km/h (31.1 mph)

BOOM

Vehicle model	AGRI MAX 50.8 POWER X2	AGRI MAX 65.8 POWER X2	AGRI MAX 60.9 POWER X2
Lifting	8.7 s	11.1 s	11.1 s
Getting off the basket	6.9 s	10.4 s	10.4 s
Extension	7.3 s	7.3 s	8.4 s
Retraction	4.8 s	4.8 s	5.5 s
Forward swivelling	3.7 s	3.7 s	3.7 s
Reverse swivelling	3.8 s	3.8 s	3.8 s

ENGINE

Vehicle model	AGRI MAX 50.8 POWER X2	AGRI MAX 65.8 POWER X2	AGRI MAX 60.9 POWER X2
Brand	FPT	FPT	FPT
Nominal power	125 kW (168 HP)	125 kW (168 HP)	125 kW (168 HP)
@rpm	2200 rpm	2200 rpm	2200 rpm
Peak power	128 kW (172 HP)	128 kW (172 HP)	128 kW (172 HP)
@rpm	1900 rpm	1900 rpm	1900 rpm
Operation	4-stroke	4-stroke	4-stroke
Injection	Electronic, Common Rail	Electronic, Common Rail	Electronic, Common Rail
Number and arrangement of cylinders	4, Vertical in line	4, Vertical in line	4, Vertical in line
Displacement	4485 cm ³ (274 in ³)	4485 cm ³ (274 in ³)	4485 cm ³ (274 in ³)
Consumption	212 g/kWh (348.74 lb/Hp h)	212 g/kWh (348.74 lb/Hp h)	212 g/kWh (348.74 lb/Hp h)
@rpm	2200 rpm	2200 rpm	2200 rpm
Emission standards	Stage V	Stage V	Stage V
Exhaust gas treatment	DOC+SCRoF (with AdBlue)	DOC+SCRoF (with AdBlue)	DOC+SCRoF (with AdBlue)
Cooling system	Liquid	Liquid	Liquid
Intake	16-valve turbocharger with aftercooler	16-valve turbocharger with aftercooler	16-valve turbocharger with aftercooler

DIFFERENTIAL AXLES

Vehicle model	AGRI MAX 50.8 POWER X2	AGRI MAX 65.8 POWER X2	AGRI MAX 60.9 POWER X2
Type of axles	2 steering, with 4 epicycloidal reduction gears. Limited slip 45% on both axles	2 steering, with 4 epicycloidal reduction gears. Limited slip 45% on both axles	2 steering, with 4 epicycloidal reduction gears. Limited slip 45% on both axles
Type of steering	4 wheels / transversal / 2 wheels	4 wheels / transversal / 2 wheels	4 wheels / transversal / 2 wheels
Front axle	Rigid (Levelling upon request)	Rigid (Levelling upon request)	Rigid (Levelling upon request)
Rear axle	Swinging	Swinging	Swinging
Service braking	Oil bath with servo brake on front and rear axle with double hydraulic system	Oil bath with servo brake on front and rear axle with double hydraulic system	Oil bath with servo brake on front and rear axle with double hydraulic system
Parking braking	Negative actuation with electronic control	Negative actuation with electronic control	Negative actuation with electronic control

HYDRAULIC SYSTEM

Vehicle model	AGRI MAX 50.8 POWER X2	AGRI MAX 65.8 POWER X2	AGRI MAX 60.9 POWER X2
Hydraulic pump type	Piston pump with variable flow rate for power steering and movements. Gear pumps for Fan Drive with fan reversal.	Piston pump with variable flow rate for power steering and movements. Gear pumps for Fan Drive with fan reversal.	Piston pump with variable flow rate for power steering and movements. Gear pumps for Fan Drive with fan reversal.
Hydraulic pump capacity	305 l/min (80.6 gal/min)	305 l/min (80.6 gal/min)	305 l/min (80.6 gal/min)
Max. operating pressure	26 MPa (3771 psi)	26 MPa (3771 psi)	26 MPa (3771 psi)
Distributor control	4 in 1 proportional electrical Joystick with FNR	4 in 1 proportional electrical Joystick with FNR	4 in 1 proportional electrical Joystick with FNR

FILLING

Vehicle model	AGRI MAX 50.8 POWER X2	AGRI MAX 65.8 POWER X2	AGRI MAX 60.9 POWER X2
Hydraulic system (total)	170 l (44,91 gal)	170 l (44,91 gal)	170 l (44,91 gal)
DIESEL TANK	175 l (46,23 gal)	175 l (46,23 gal)	175 l (46,23 gal)
AdBlue tank	27 l (7,13 gal)	27 l (7,13 gal)	27 l (7,13 gal)

TRANSMISSION

Vehicle model	AGRI MAX 50.8 POWER X2	AGRI MAX 65.8 POWER X2	AGRI MAX 60.9 POWER X2
Transmission type	Continuously variable hydrostatic-mechanical CVT	Continuously variable hydrostatic-mechanical CVT	Continuously variable hydrostatic-mechanical CVT
REVERSAL	With electronic control operated with vehicle in motion	With electronic control operated with vehicle in motion	With electronic control operated with vehicle in motion
Inching	With electronic pedal for controlled forward movement	With electronic pedal for controlled forward movement	With electronic pedal for controlled forward movement
Drive mode	Automotive, Eco, Loader, Creeper	Automotive, Eco, Loader, Creeper	Automotive, Eco, Loader, Creeper

TOWING CAPACITY

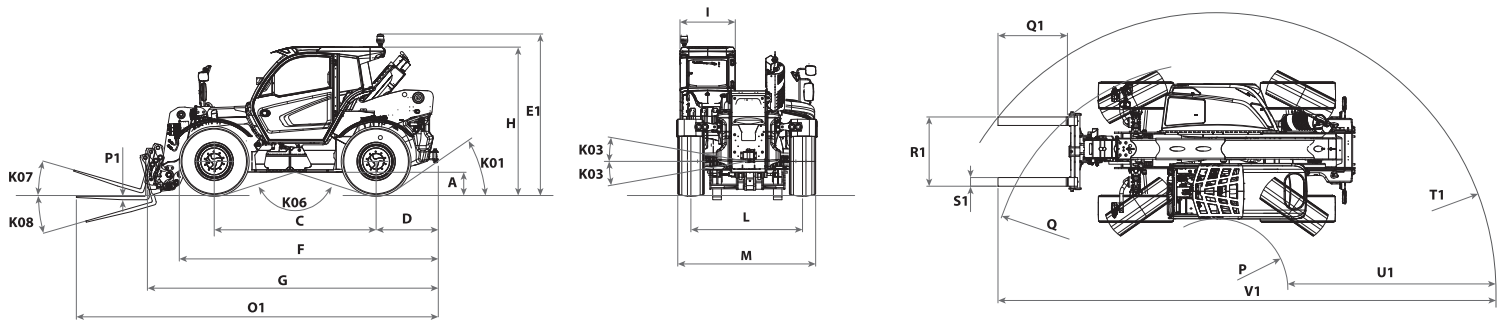
Vehicle model	AGRI MAX 50.8 POWER X2	AGRI MAX 65.8 POWER X2	AGRI MAX 60.9 POWER X2
Unbraked trailer	3500 kg (7716 lb)	3500 kg (7716 lb)	3500 kg (7716 lb)
Inertia braking	8000 kg (17637 lb)	8000 kg (17637 lb)	8000 kg (17637 lb)
Hydraulic/pneumatic braking	25000 kg (55116 lb)	25000 kg (55116 lb)	25000 kg (55116 lb)

TYRES

Vehicle model	AGRI MAX 50.8 POWER X2	AGRI MAX 65.8 POWER X2	AGRI MAX 60.9 POWER X2
Standard tires	500/70 R24	500/70 R24	500/70 R24

DIMENSIONS

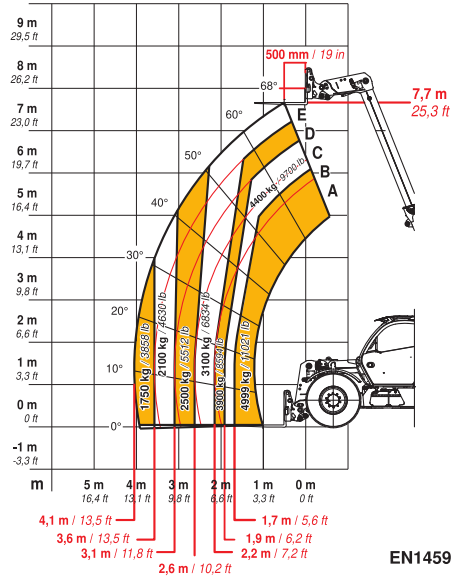
Vehicle model	AGRI MAX 50.8 POWER X2	AGRI MAX 65.8 POWER X2	AGRI MAX 60.9 POWER X2
A	508 mm (20.0 in)	508 mm (20.0 in)	508 mm (20.0 in)
C	2850 mm (112.2 in)	2850 mm (112.2 in)	2850 mm (112.2 in)
D	1266 mm (49.8 in)	1266 mm (49.8 in)	1266 mm (49.8 in)
E1	2841 mm (111.9 in)	2841 mm (111.9 in)	2841 mm (111.9 in)
F	4767 mm (187.7 in)	4767 mm (187.7 in)	4767 mm (187.7 in)
G	5321 mm (209.5 in)	5321 mm (209.5 in)	5321 mm (209.5 in)
H	2608 mm (102.7 in)	2608 mm (102.7 in)	2608 mm (102.7 in)
L	1950 mm (76.8 in)	1950 mm (76.8 in)	1950 mm (76.8 in)
I	960 mm (37.8 in)	960 mm (37.8 in)	960 mm (37.8 in)
K01	37°	37°	37°
K03	10°	10°	10°
K06	136°	136°	136°
K07	16°	16°	16°
K08	131°	131°	131°
M	2461 mm (96.9 in)	2461 mm (96.9 in)	2461 mm (96.9 in)
O1	6602 mm (259.9 in)	6602 mm (259.9 in)	6602 mm (259.9 in)
P	1348 mm (53.1 in)	1348 mm (53.1 in)	1348 mm (53.1 in)
P1	60 mm (2.4 in)	60 mm (2.4 in)	60 mm (2.4 in)
Q	4100 mm (161.4 in)	4100 mm (161.4 in)	4100 mm (161.4 in)
Q1	1200 mm (47.2 in)	1200 mm (47.2 in)	1200 mm (47.2 in)
R1	1200 mm (47.2 in)	1200 mm (47.2 in)	1200 mm (47.2 in)
S1	150 mm (5.9 in)	150 mm (5.9 in)	150 mm (5.9 in)
T1	4919 mm (193.7 in)	4919 mm (193.7 in)	4919 mm (193.7 in)
U1	3571 mm (140.6 in)	3571 mm (140.6 in)	3571 mm (140.6 in)
V1	8720 mm (343.3 in)	8720 mm (343.3 in)	8720 mm (343.3 in)



MAX
4999 kg / 11021 lb



DOC10000944



EN1459 Annex-B

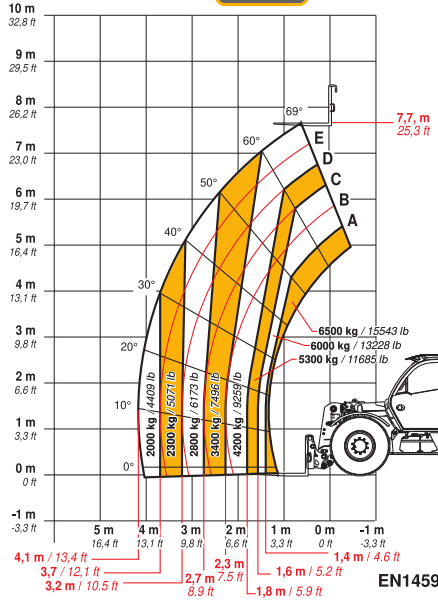


50.8

MAX
6500 kg / 14330 lb



DOC10000946



EN1459-1 Annex-B

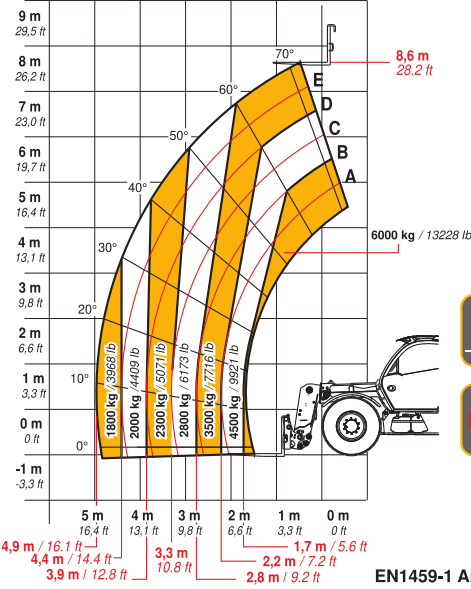


65.8

MAX
6000 kg / 13228 lb



DOC10000948



EN1459-1 Annex-B



60.9