

CESAB M300 1.5 - 3.5 tonne

Engine Powered Forklift



Truck Specifications



CESAB M315 - M318 Truck Specifications

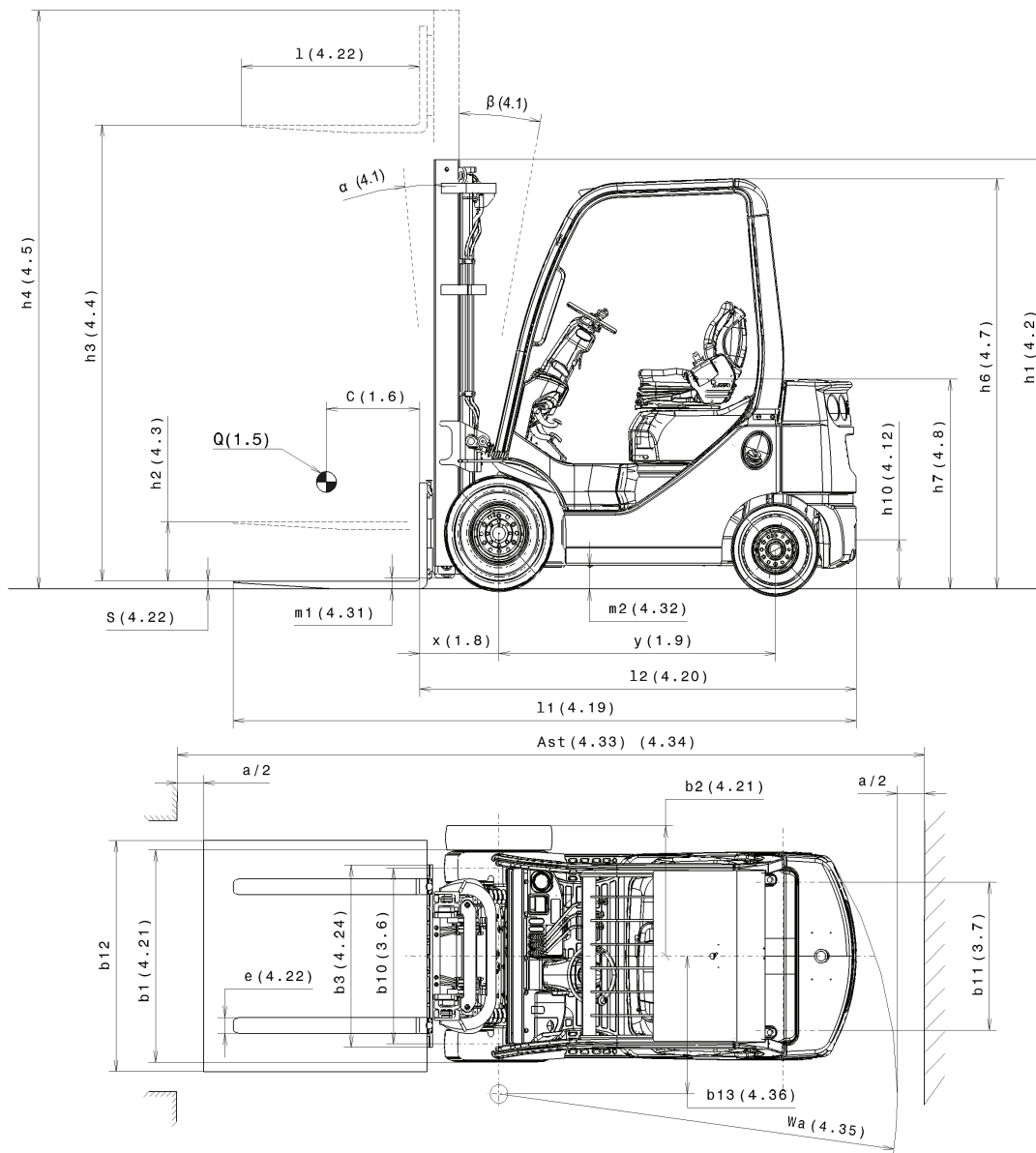
CHARACTERISTICS				
1.1	Manufacturer		CESAB	CESAB
1.2	Model designation		M315	M318
1.3	Power unit		LPG - diesel	LPG - diesel
1.4	Operation		driver seated	driver seated
1.5	Load capacity	Q [t]	1,5	1,75
1.6	Load centre distance	c [mm]	500	500
1.8	Axle centre to fork face	x [mm]	421,5	(a) 421,5
1.9	Wheelbase	y [mm]	1485	1485
WEIGHT				
2.1	Service weight	kg	2890-2930	2950-2990
2.2	Axle loading, with load front/rear	kg	3750/640 - 3770/660	4210/540 - 4230/560
2.3	Axle loading, without load front/rear	kg	1320/1570 - 1340/1590	1310/1640 - 1330/1660
WHEELS AND TYRES				
3.1	Tyres : C=Cushion, PN=Pneumatic, SE=Superelastic, G=Twin tyre		SE-PN / SEG-PNG	SE-PN / SEG-PNG
3.2	Tyre size front		6.50-10 / 6.00-9	6.50-10 / 6.00-9
3.3	Tyre size rear		5.00-8	5.00-8
3.5	Wheels: number front/rear (x = driven wheels)		2x-4x/ 2	2x-4x/ 2
3.6	Track width front	b10 [mm]	885 / 1085	885 / 1085
3.7	Track width rear	b11 [mm]	895	895
DIMENSIONS				
4.1	Mast/fork carriage tilt forward/backward	α / β [°]	6° / 11°	6° / 11°
4.2	Height of mast, lowered	h1 [mm]	2165	2165
4.3	Free lift	h2 [mm]	80	80
4.4	Lift	h3 [mm]	3170	3170
4.5	Height, mast extended	h4 [mm]	3725	3725
4.7	Height of overhead guard	h6 [mm]	2080	2080
4.8	Seat height	h7 [mm]	1030	1030
4.12	Towing coupling height	h10 [mm]	285	285
4.19	Overall length	l1 [mm]	3342	(a) 3342
4.20	Length to face of forks	l2 [mm]	2342	(a) 2342
4.21	Overall width	b1 [mm]	1070 / 1430	1070 / 1430
4.22	Fork dimensions	s/e/l [mm]	35x100x1000	35x120x1000
4.23	Fork carriage DIN 1573, class/type A,B		II A	II A
4.24	Fork carriage width	b3 [mm]	920	920
4.31	Ground clearance, with load below mast	m1 [mm]	115	115
4.32	Ground clearance, centre of wheelbase	m2 [mm]	130	130
4.33	Aisle width for pallets 1000x1200 wide	Ast [mm]	3695	(a) 3695
4.34	Aisle width for pallets 800x1200 long	Ast [mm]	3895	(a) 3895
4.35	Turning radius	Wa [mm]	2074	2074
4.36	Internal turning radius	b13 [mm]	575	575
PERFORMANCE				
5.1	Travel speed with/without load	km/h	18,5/19 - 18/18,5	18,5/19 - 18/18,5
5.2	Lift speed with/without load	m/s	0,67/0,68 - 0,65/0,68	0,67/0,68 - 0,65/0,68
5.3	Lowering speed with/without load	m/s	< 0,55	< 0,55
5.5	Max drawbar pull with/without load	N	17500/6300 - 17500/7000	17500/6300 - 17500/6300
5.7	Max gradeability with/without load	%	45/22 - 45/22	44/20 - 45/20
5.9	Acceleration time with/without load	s	-	-
5.10	Service brake		hydraulic	hydraulic
IC ENGINE				
7.1	Engine manufacturer/type		Toyota 4Y / Toyota 1DZ-III	Toyota 4Y / Toyota 1DZ-III
7.2	Engine power (ISO 1585)	kW	38 - 38	38 - 38
7.3	Rated speed	min-1	2570 - 2400	2570 - 2400
7.4	N° of cylinders/displacement	cm3	4/2237 - 4/2486	4/2237 - 4/2486
7.5	Fuel consumption (VDI cycle)	l/h-kg/h	-	-
OTHERS				
8.1	Type of drive control		hydrodynamic	hydrodynamic
8.2	Operating pressure for attachments	bar	118 - 118	118 - 118
8.3	Oil quantity for attachments	l/min	65 - 64	65 - 64
8.4	Sound level at the driver's ear (EN 12053)	dB (A)	77 - 79	77 - 79
8.5	Towing coupling, type DIN		-	-

a) with integral sideshift: +35 mm

Note: unless otherwise specified, all data refer to vehicles with SE tyres. All performance figures refer to fully run-in vehicles, in perfect working status with homologated tyres mix. Truck performance and dimensions are nominal and subject to tolerances.



CESAB M315 - M318 Dimensional Drawings



Availability and specifications are determined regionally and are subject to change without notice. Please consult your authorised CESAB distributor for further details. P&B-0310 M300/S1.0/MAR10.

Mast Specifications

Duplex NFL (1,5-1,8t)				
h3	Lift height	2970	3170	4170
h1	Height of mast, lowered	2065	2165	2715
h2	Free lift	80	80	80
h4	Height of mast, extended	3520	3720	4755
α/β	Mast tilt forw./backw.	6° / 11°		

Duplex FFL (1,5-1,8t)				
h3	Lift height	2970	3170	4170
h1	Height of mast, lowered	2065	2165	2715
h2	Free lift	1470	1570	2120
h4	Height of mast, extended	3565	3765	4765
α/β	Mast tilt forw./backw.	6° / 11°		

Triplex FFL (1,5-1,8t)				
h3	Lift height	4470	4670	4970
h1	Height of mast, lowered	2065	2165	2265
h2	Free lift	1470	1570	1670
h4	Height of mast, extended	5065	5265	5565
α/β	Mast tilt forw./backw.	6° / 6°		

CESAB M320 - M325 Truck Specifications

CHARACTERISTICS					
1.1	Manufacturer		CESAB	CESAB	
1.2	Model designation		M320	M325	
1.3	Power unit		LPG - diesel	LPG - diesel	
1.4	Operation		driver seated	driver seated	
1.5	Load capacity	Q [t]	2,0	2,5	
1.6	Load centre distance	c [mm]	500	500	
1.8	Axle centre to fork face	x [mm]	448,5	(a) 487,5	(b)
1.9	Wheelbase	y [mm]	1650	1650	
WEIGHT					
2.1	Service weight	kg	3250 - 3290	3915 - 3955	
2.2	Axle loading, with load front/rear	kg	4580/670 - 4600/690	5635/780 - 5655/800	
2.3	Axle loading, without load front/rear	kg	1410/1840 - 1430/1860	1640/2275 - 1660/2295	
WHEELS AND TYRES					
3.1	Tyres : C=Cushion, PN=Pneumatic, SE=Superelastic, G=Twin tyre		SE-PN / SEG-PNG	SE-PN / SEG-PNG	
3.2	Tyre size front		7.00-12 / 7.00-12	7.00-12 / 7.00-12	
3.3	Tyre size rear		6.00-9	6.00-9	
3.5	Wheels: number front/rear (x = driven wheels)		2x-4x/ 2	2x-4x/ 2	
3.6	Track width front	b10 [mm]	960 / 1190	960 / 1190	
3.7	Track width rear	b11 [mm]	965	965	
DIMENSIONS					
4.1	Mast/fork carriage tilt forward/backward	α / β [°]	6° / 11°	6° / 11°	
4.2	Height of mast, lowered	h1 [mm]	2165	2215	
4.3	Free lift	h2 [mm]	80	80	
4.4	Lift	h3 [mm]	3170	3170	
4.5	Height, mast extended	h4 [mm]	3725	3800	
4.7	Height of overhead guard	h6 [mm]	2110	2110	
4.8	Seat height	h7 [mm]	1060	1060	
4.12	Towing coupling height	h10 [mm]	315	315	
4.19	Overall length	l1 [mm]	3542	(a) 3649	(b)
4.20	Length to face of forks	l2 [mm]	2542	(a) 2649	(b)
4.21	Overall width	b1 [mm]	1150 / 1610	1150 / 1610	
4.22	Fork dimensions	s/e/l [mm]	35x120x1000	40x120x1000	
4.23	Fork carriage DIN 1573, class/type A,B		II A	II A	
4.24	Fork carriage width	b3 [mm]	1020	1020	
4.31	Ground clearance, with load below mast	m1 [mm]	115	115	
4.32	Ground clearance, centre of wheelbase	m2 [mm]	160	160	
4.33	Aisle width for pallets 1000x1200 wide	Ast [mm]	3942	(a) 4039	(b)
4.34	Aisle width for pallets 800x1200 long	Ast [mm]	4142	(a) 4239	(b)
4.35	Turning radius	Wa [mm]	2294	2352	
4.36	Internal turning radius	b13 [mm]	745	745	
PERFORMANCE					
5.1	Travel speed with/without load	km/h	17,5/18 - 18,5/19	17,5/18 - 18,5/19	
5.2	Lift speed with/without load	m/s	0,60/0,64 - 0,62/0,66	0,60/0,64 - 0,62/0,66	
5.3	Lowering speed with/without load	m/s	< 0,55	< 0,55	
5.5	Max drawbar pull with/without load	N	18500/9000 - 18600/9100	18500/8500 - 18600/8500	
5.7	Max gradeability with/without load	%	39/22 - 39/22	33/19 - 32/19	
5.9	Acceleration time with/without load	s	-	-	
5.10	Service brake		hydraulic	hydraulic	
IC ENGINE					
7.1	Engine manufacturer/type		Toyota 4Y / Toyota 1DZ-III	Toyota 4Y / Toyota 1DZ-III	
7.2	Engine power (ISO 1585)	kW	38 - 41	38 - 41	
7.3	Rated speed	min-1	2570 - 2500	2570 - 2500	
7.4	N° of cylinders/displacement	cm3	4/2237 - 4/2486	4/2237 - 4/2486	
7.5	Fuel consumption (VDI cycle)	l/h-kg/h	-	-	
OTHERS					
8.1	Type of drive control		hydrodynamic	hydrodynamic	
8.2	Operating pressure for attachments	bar	147 - 147	147 - 147	
8.3	Oil quantity for attachments	l/min	65/71 - 65/77	65/71 - 65/77	
8.4	Sound level at the driver's ear (EN 12053)	dB (A)	77 - 79	77 - 79	
8.5	Towing coupling, type DIN		-	-	

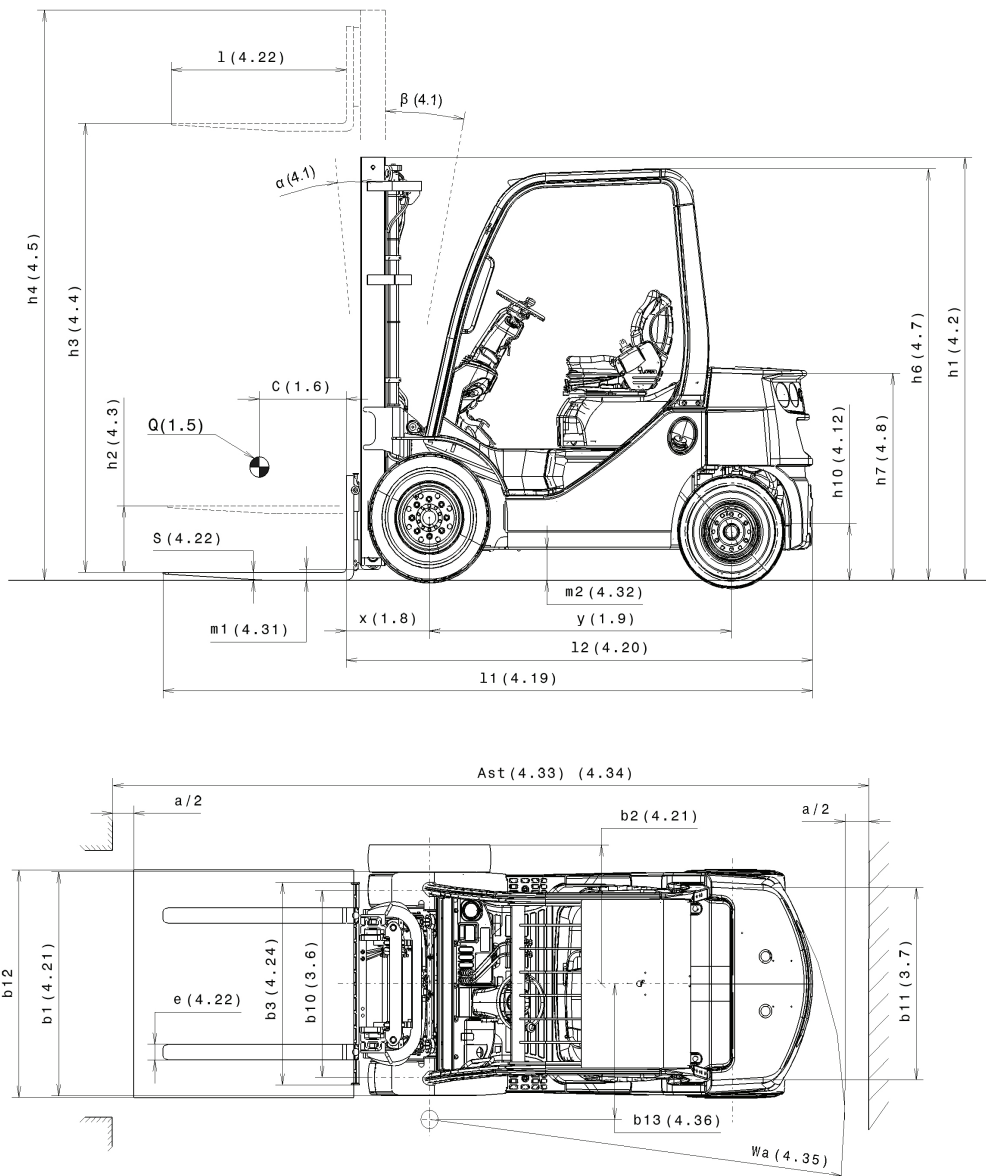
a) with integral sideshift: +35 mm

b) with integral sideshift: +32 mm

Note: unless otherwise specified, all data refer to vehicles with SE tyres. All performance figures refer to fully run-in vehicles, in perfect working status with homologated tyres mix. Truck performance and dimensions are nominal and subject to tolerances.



CESAB M320 - M325 Dimensional Drawings



Availability and specifications are determined regionally and are subject to change without notice. Please consult your authorised CESAB distributor for further details. P&B-0310 M300/S1.0/MAR10.

Mast Specifications

Duplex NFL (2,0t)		2970	3170	4170
h3	Lift height	2970	3170	4170
h1	Height of mast, lowered	2065	2165	2715
h2	Free lift	80	80	80
h4	Height of mast, extended	3520	3720	4770
alpha/beta	Mast tilt forw./backw.	6° / 11°		

Triplex FFL (2,0t)		4460	4670	4970
h3	Lift height	4460	4670	4970
h1	Height of mast, lowered	2065	2165	2265
h2	Free lift	1470	1570	1670
h4	Height of mast, extended	5055	5265	5565
alpha/beta	Mast tilt forw./backw.	6° / 6°		

Duplex FFL (2,5t)		2970	3170	4170
h3	Lift height	2970	3170	4170
h1	Height of mast, lowered	2115	2215	2765
h2	Free lift	1450	1550	2100
h4	Height of mast, extended	3635	3835	4835
alpha/beta	Mast tilt forw./backw.	6° / 11°		

Duplex FFL (2,0t)		2970	3170	4170
h3	Lift height	2970	3170	4170
h1	Height of mast, lowered	2065	2165	2715
h2	Free lift	1470	1570	2120
h4	Height of mast, extended	3565	3765	4765
alpha/beta	Mast tilt forw./backw.	6° / 11°		

Duplex NFL (2,5t)		2970	3170	4170
h3	Lift height	2970	3170	4170
h1	Height of mast, lowered	2115	2215	2765
h2	Free lift	80	80	80
h4	Height of mast, extended	3600	3800	4820
alpha/beta	Mast tilt forw./backw.	6° / 11°		

Triplex FFL (2,5t)		4320	4560	4970
h3	Lift height	4320	4560	4970
h1	Height of mast, lowered	2095	2175	2315
h2	Free lift	1430	1510	1650
h4	Height of mast, extended	4985	5225	5635
alpha/beta	Mast tilt forw./backw.	6° / 6°		

CESAB M330 - M335 Truck Specifications

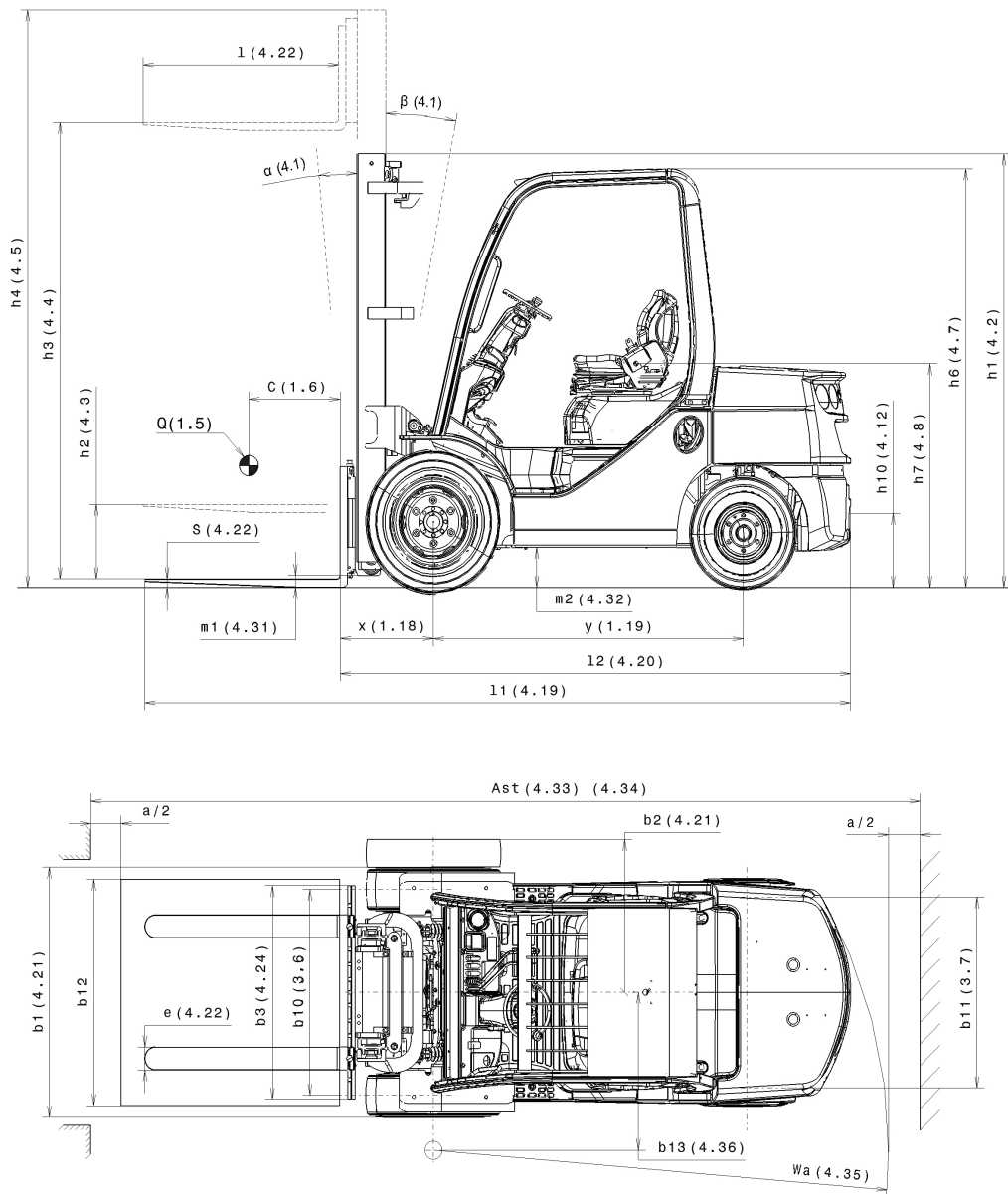
CHARACTERISTICS				
1.1	Manufacturer		CESAB	CESAB
1.2	Model designation		M330	M335
1.3	Power unit		LPG - diesel	LPG - diesel
1.4	Operation		driver seated	driver seated
1.5	Load capacity	Q [t]	3,0	3,5
1.6	Load centre distance	c [mm]	500	500
1.8	Axle centre to fork face	x [mm]	516,5	(a) 521,5 (a)
1.9	Wheelbase	y [mm]	1700	1700
WEIGHT				
2.1	Service weight	kg	4450 - 4490	4890 - 4990
2.2	Axle loading, with load front/rear	kg	6500/950 - 6520/970	7370/1020 - 7420/1070
2.3	Axle loading, without load front/rear	kg	1700/2750 - 1720/2770	1770/3120 - 1820/3170
WHEELS AND TYRES				
3.1	Tyres : C=Cushion, PN=Pneumatic, SE=Superelastic, G=Twin tyre		SE-PN / SEG-PNG	SE-PN / SEG-PNG
3.2	Tyre size front		28x9-15 / 7.00-15 (SEG) - 28x8-15 (PNG)	250x15 / 7.00-15 (SEG) - 28x8-15 (PNG)
3.3	Tyre size rear		6.50-10	6.50-10
3.5	Wheels: number front/rear (x = driven wheels)		2x-4x/ 2	2x-4x/ 2
3.6	Track width front	b10 [mm]	1010 / 1240	1060 / 1290
3.7	Track width rear	b11 [mm]	965	965
DIMENSIONS				
4.1	Mast/fork carriage tilt forward/backward	α / β [°]	6° / 11°	6° / 11°
4.2	Height of mast, lowered	h1 [mm]	2230	2345
4.3	Free lift	h2 [mm]	80	80
4.4	Lift	h3 [mm]	3170	3170
4.5	Height, mast extended	h4 [mm]	3805	3900
4.7	Height of overhead guard	h6 [mm]	2170	2180
4.8	Seat height	h7 [mm]	1120	1130
4.12	Towing coupling height	h10 [mm]	335	335
4.19	Overall length	l1 [mm]	3807	(a) 3872 (a)
4.20	Length to face of forks	l2 [mm]	2807	(a) 2872 (a)
4.21	Overall width	b1 [mm]	1240 / 1670 (7.00-15) - 1665 (28x8-15)	1290 / 1720 (7.00-15) - 1715 (28x8-15)
4.22	Fork dimensions	s/e/l [mm]	45x120x1000	50x150x1000
4.23	Fork carriage DIN 1573, class/type A,B		III A	III A
4.24	Fork carriage width	b3 [mm]	1100	1100
4.31	Ground clearance, with load below mast	m1 [mm]	130	145
4.32	Ground clearance, centre of wheelbase	m2 [mm]	205	210
4.33	Aisle width for pallets 1000x1200 wide	Ast [mm]	4168	(a) 4241 (a)
4.34	Aisle width for pallets 800x1200 long	Ast [mm]	4368	(a) 4441 (a)
4.35	Turning radius	Wa [mm]	2452	2520
4.36	Internal turning radius	b13 [mm]	720	745
PERFORMANCE				
5.1	Travel speed with/without load	km/h	18,5/19 - 17,5/18	19/19,5 - 19/19,5
5.2	Lift speed with/without load	m/s	0,51/0,55 - 0,50/0,53	0,43/0,45 - 0,45/0,48
5.3	Lowering speed with/without load	m/s	< 0,55	< 0,55
5.5	Max drawbar pull with/without load	N	18000/10300 - 19500/10400	17000/10500 - 18500/10700
5.7	Max gradeability with/without load	%	26/20 - 27/20	20/18 - 21/19
5.9	Acceleration time with/without load	s	-	-
5.10	Service brake		hydraulic	hydraulic
IC ENGINE				
7.1	Engine manufacturer/type		Toyota 4Y / Toyota 1DZ-III	Toyota 4Y / Toyota 3Z
7.2	Engine power (ISO 1585)	kW	42 - 41	42 - 42
7.3	Rated speed	min-1	2570 - 2500	2570 - 2200
7.4	N° of cylinders/displacement	cm3	4/2237 - 4/2486	4/2237 - 4/3469
7.5	Fuel consumption (VDI cycle)	l/h-kg/h	-	-
OTHERS				
8.1	Type of drive control		hydrodynamic	hydrodynamic
8.2	Operating pressure for attachments	bar	147 - 147	147 - 147
8.3	Oil quantity for attachments	l/min	65/74 - 65/75	65/74 - 65/80
8.4	Sound level at the driver's ear (EN 12053)	dB (A)	77 - 79	77 - 79
8.5	Towing coupling, type DIN		-	-

a) with integral sideshift: +32 mm

Note: unless otherwise specified, all data refer to vehicles with SE tyres. All performance figures refer to fully run-in vehicles, in perfect working status with homologated tyres mix. Truck performance and dimensions are nominal and subject to tolerances.



CESAB M330 - M335 Dimensional Drawings



Availability and specifications are determined regionally and are subject to change without notice. Please consult your authorised CESAB distributor for further details. P&B-0310 M300/S1.0/MAR10.

Mast Specifications

Duplex NFL (3,0t)			
h3	Lift height	2970	3170 4170
h1	Height of mast, lowered	2130	2230 2780
h2	Free lift	80	80 80
h4	Height of mast, extended	3605	3805 4825
α/β	Mast tilt forw./backw.	6° / 11°	

Triplex FFL (3,0t)			
h3	Lift height	4470	4670 4970
h1	Height of mast, lowered	2160	2230 2330
h2	Free lift	1480	1550 1650
h4	Height of mast, extended	5150	5350 5650
α/β	Mast tilt forw./backw.	6° / 6°	

Duplex FFL (3,5t)			
h3	Lift height	2970	3170 4170
h1	Height of mast, lowered	2145	2345 2845
h2	Free lift	1450	1665 2165
h4	Height of mast, extended	3650	3850 4850
α/β	Mast tilt forw./backw.	6° / 11°	

Duplex FFL (3,0t)			
h3	Lift height	2970	3170 4170
h1	Height of mast, lowered	2130	2230 2780
h2	Free lift	1450	1550 2100
h4	Height of mast, extended	3650	3850 4850
α/β	Mast tilt forw./backw.	6° / 11°	

Duplex NFL (3,5t)			
h3	Lift height	2970	3170 4170
h1	Height of mast, lowered	2145	2345 2895
h2	Free lift	80	80 80
h4	Height of mast, extended	3600	3900 4900
α/β	Mast tilt forw./backw.	6° / 11°	

Triplex FFL (3,5t)			
h3	Lift height	4470	4670 4970
h1	Height of mast, lowered	2275	2345 2445
h2	Free lift	1595	1665 1765
h4	Height of mast, extended	5150	5350 5650
α/β	Mast tilt forw./backw.	6° / 6°	

Availability and specifications are determined regionally and are subject to change without notice.
Please consult your authorised CESAB distributor for further details. P&B-0310 M300/S1.0/MAR10.

